

**323 C, L, LD, R, RJ**

**325 Cx**

**325 Lx, LDx**

**325 Rx, RJx**

**Spare parts**

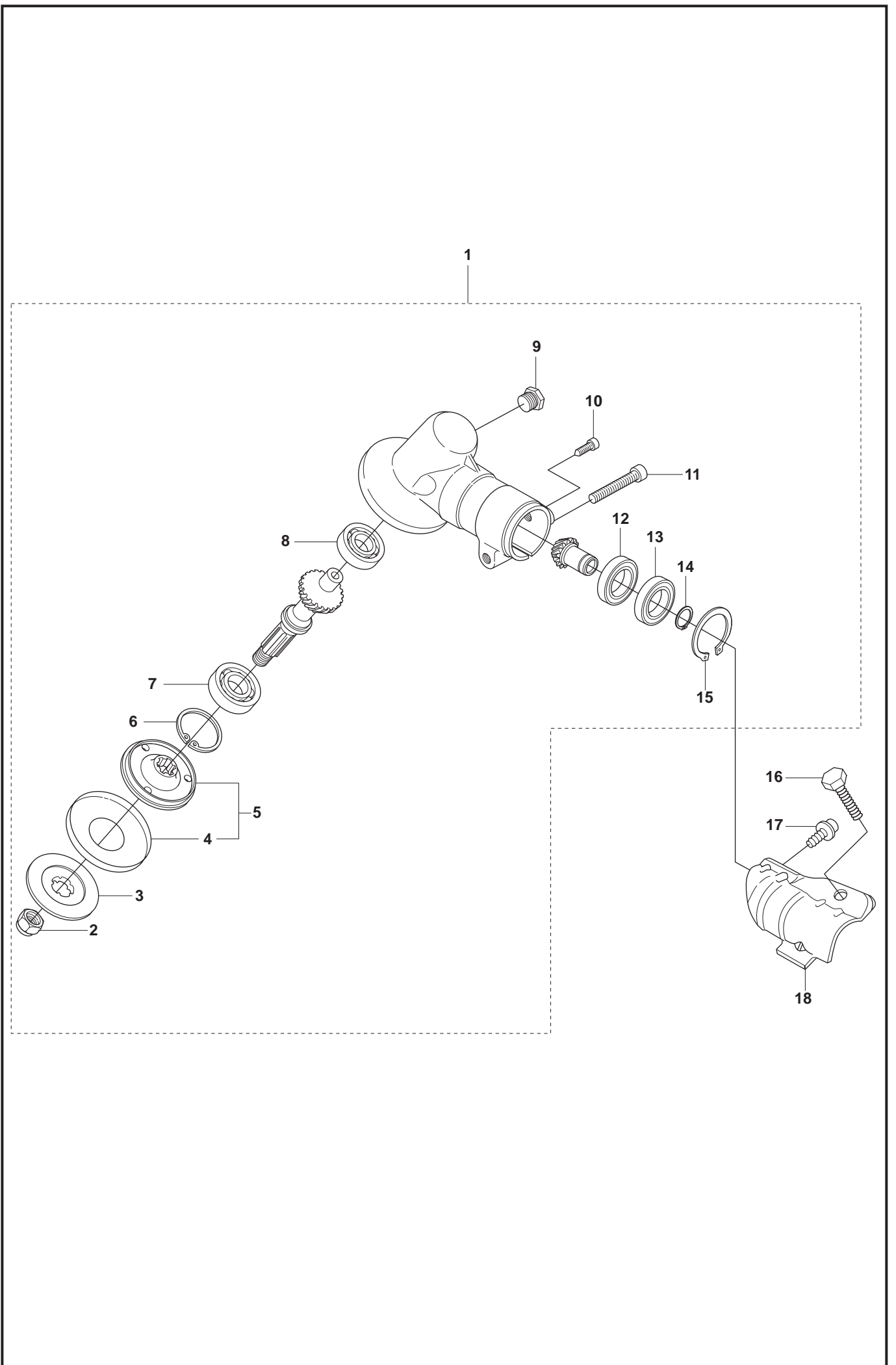
**Ersatzteile**

**Pièces détachées**

**Reserve onderdelen**

**Repuestos**

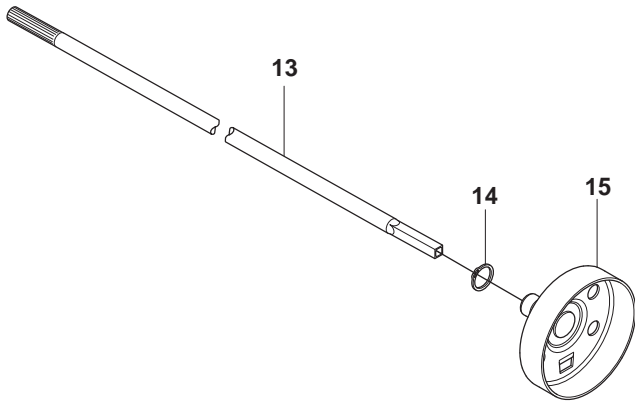
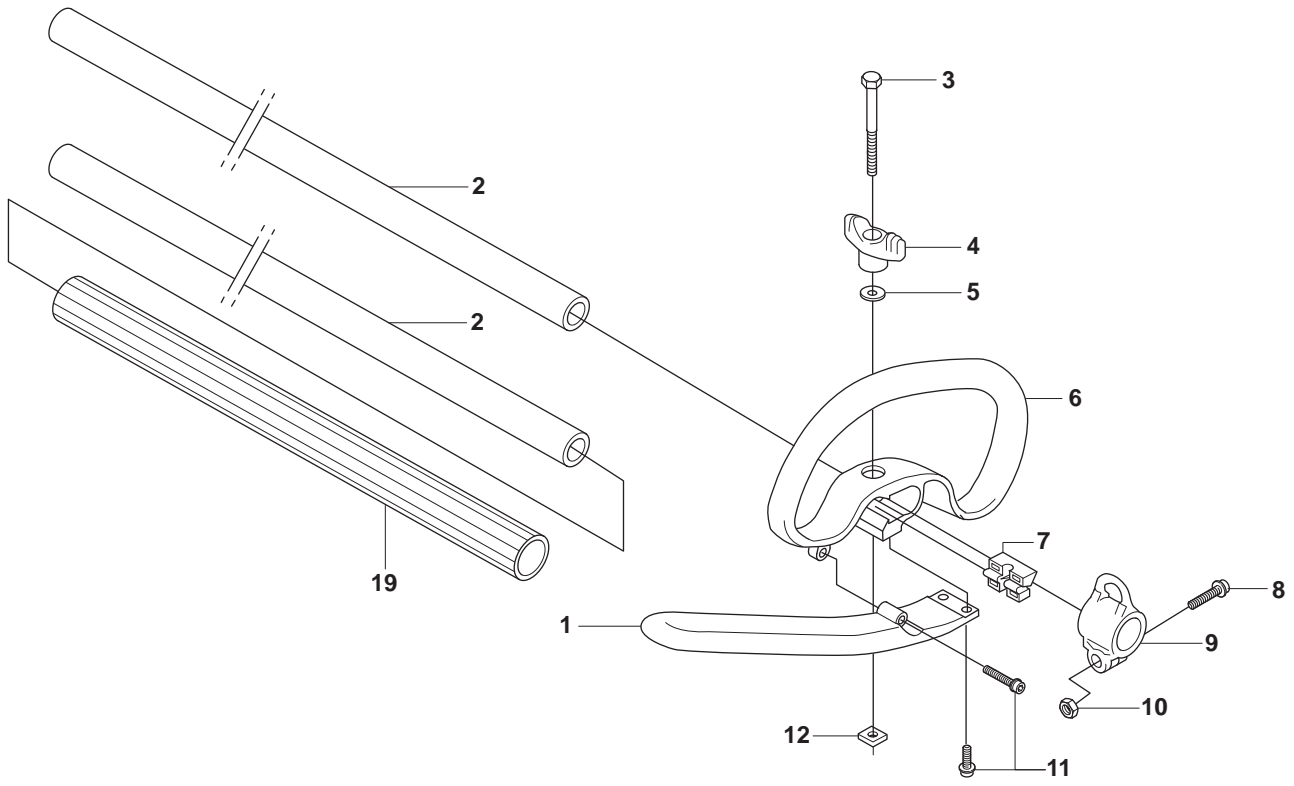
**Reservdelar**



BEVEL GEAR

<b>Position #</b>	<b>Article #</b>	<b>Quantity</b>	<b>Notes</b>	<b>Kit</b>
1	537 19 92-02	1		
2	503 85 63-01	1		1
3	537 28 56-01	1		1
4	537 29 26-01	1		1
5	537 23 49-01	1		1
6	735 31 28-10	1		1
7	503 25 24-01	1		1
8	738 21 98-00	1		1
9	503 20 15-01	1		1
10	503 20 14-12	1		1
11	503 20 07-25	1		1
12	738 21 99-00	1		1
13	738 21 99-02	1		1
14	735 31 11-00	1		1
15	735 31 25-10	1		1
16	725 23 70-51	1		
17	503 20 07-12	1		
18	504 93 55-01	1		

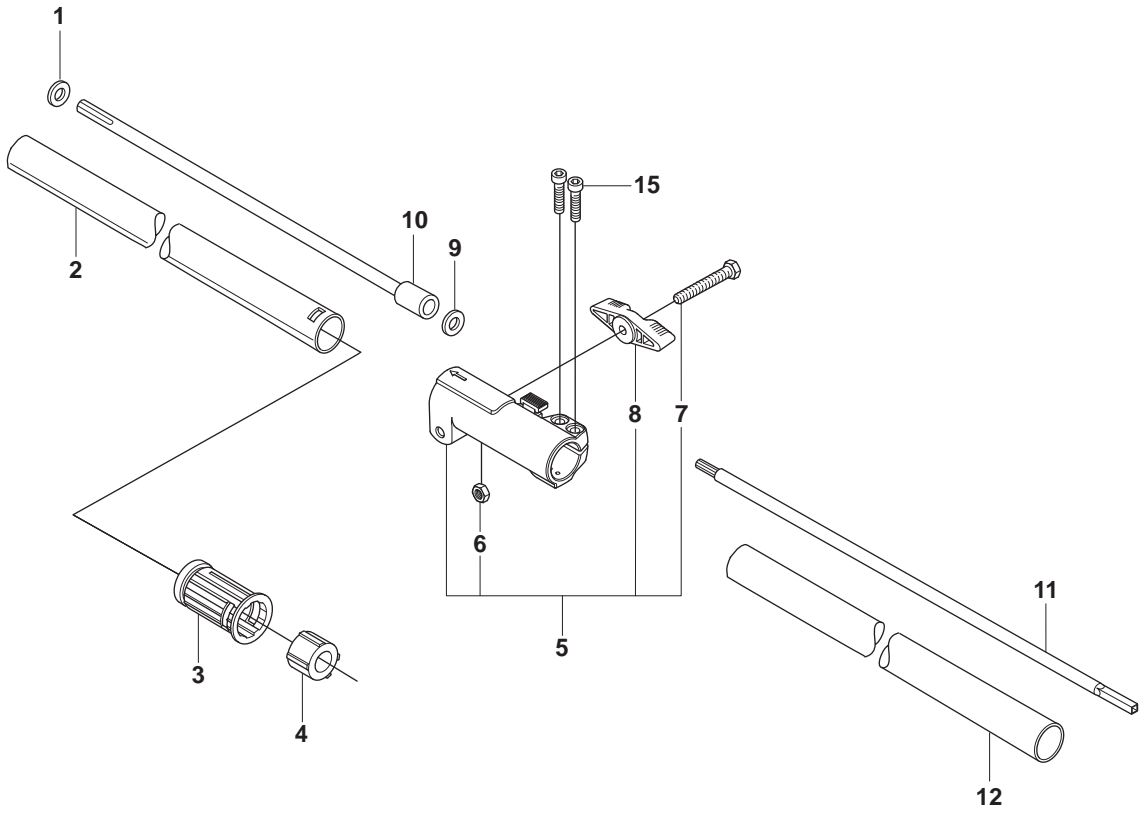
323L  
325Lx, LDx  
325RJx  
325RJx (France)



## SHAFT &amp; HANDLE

Position #	Article #	Quantity	Notes	Kit
1	503 99 78-01	1	RJx	
2	503 88 88-01	1	L=1483mm Ø=24mm	
2	540 05 38-01	1	RJx L=1483mm Ø=24mm France	
3	725 23 78-51	1	L, LS	
3	725 23 80-51	1	Lx	
4	503 87 90-01	1	Lx	
5	503 23 00-61	1	L, LS	
6	503 87 19-01	1	L, LS	
6	503 87 19-03	1	Lx	
7	503 94 03-01	1		
8	503 20 07-16	1	RJx	
9	503 94 10-01	1	RJx	
10	731 23 14-01	1	RJx	
11	503 21 68-16	3	RJx	
12	502 19 71-01	1		
13	537 23 48-01	1	L=1525mm Ø=7mm	
14	735 31 12-00	1		
15	537 23 75-01	1		
16	537 29 48-01	1		
17	503 79 56-01	1		
18	537 10 10-01	1	RJx	
19	537 08 55-01	1		

# 325LDx



13

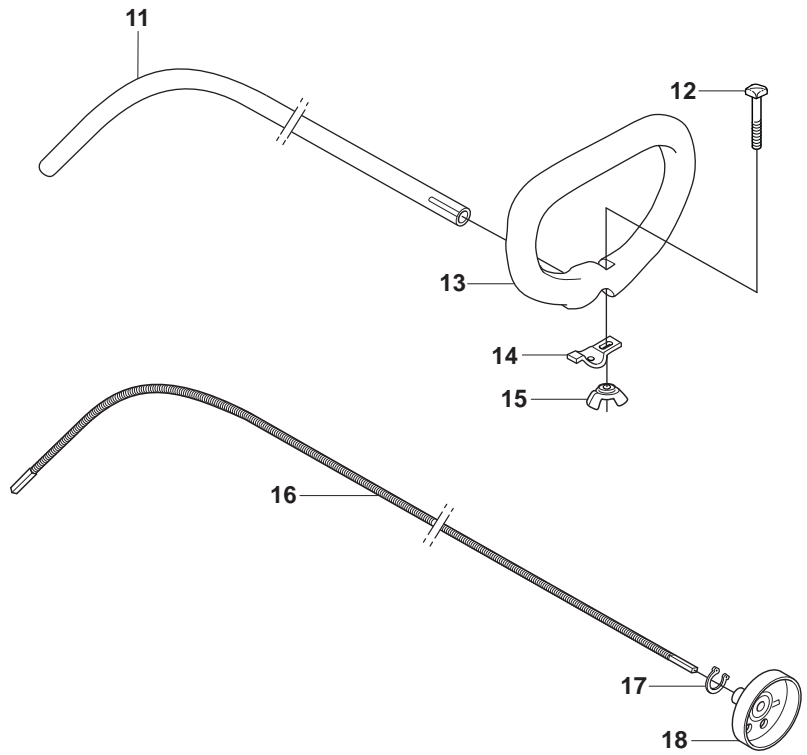
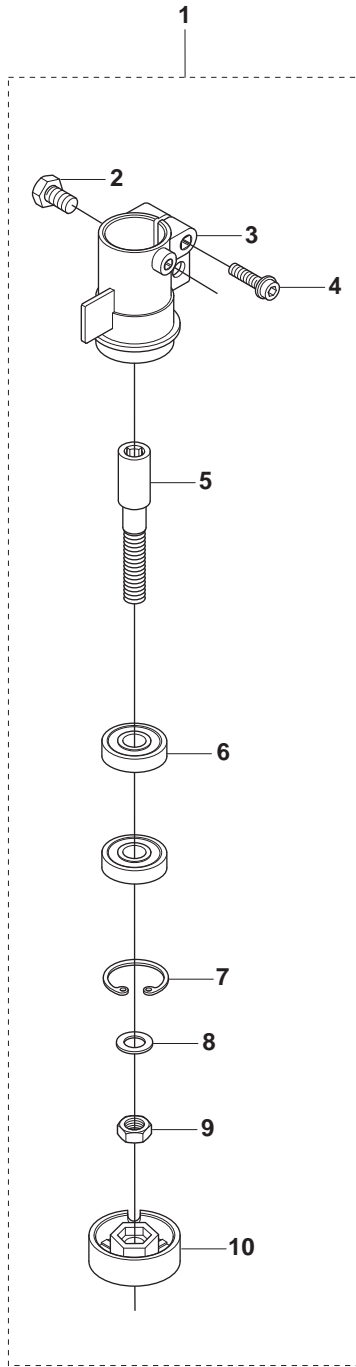


14

## SHAFT

Position #	Article #	Quantity	Notes	Kit
1	735 58 08-10	1		
2	537 07 99-01	1	L=850mm Ø=24mm	
3	544 37 87-01	1		
4	503 78 52-01	1		
5	544 36 75-01	1		
6	731 23 16-01	1		5
7	725 23 76-51	1		5
8	502 20 38-01	1		5
9	735 58 08-10	1		
10	537 01 19-01	1	L=825mm Ø=7mm	
11	544 11 37-01	1	L=699mm Ø=7mm	
12	537 01 16-01	1	L=650mm Ø=24mm	
13	537 29 48-01	1		
14	503 79 56-01	1		
15	729 92 18-01	2		

# 325Cx

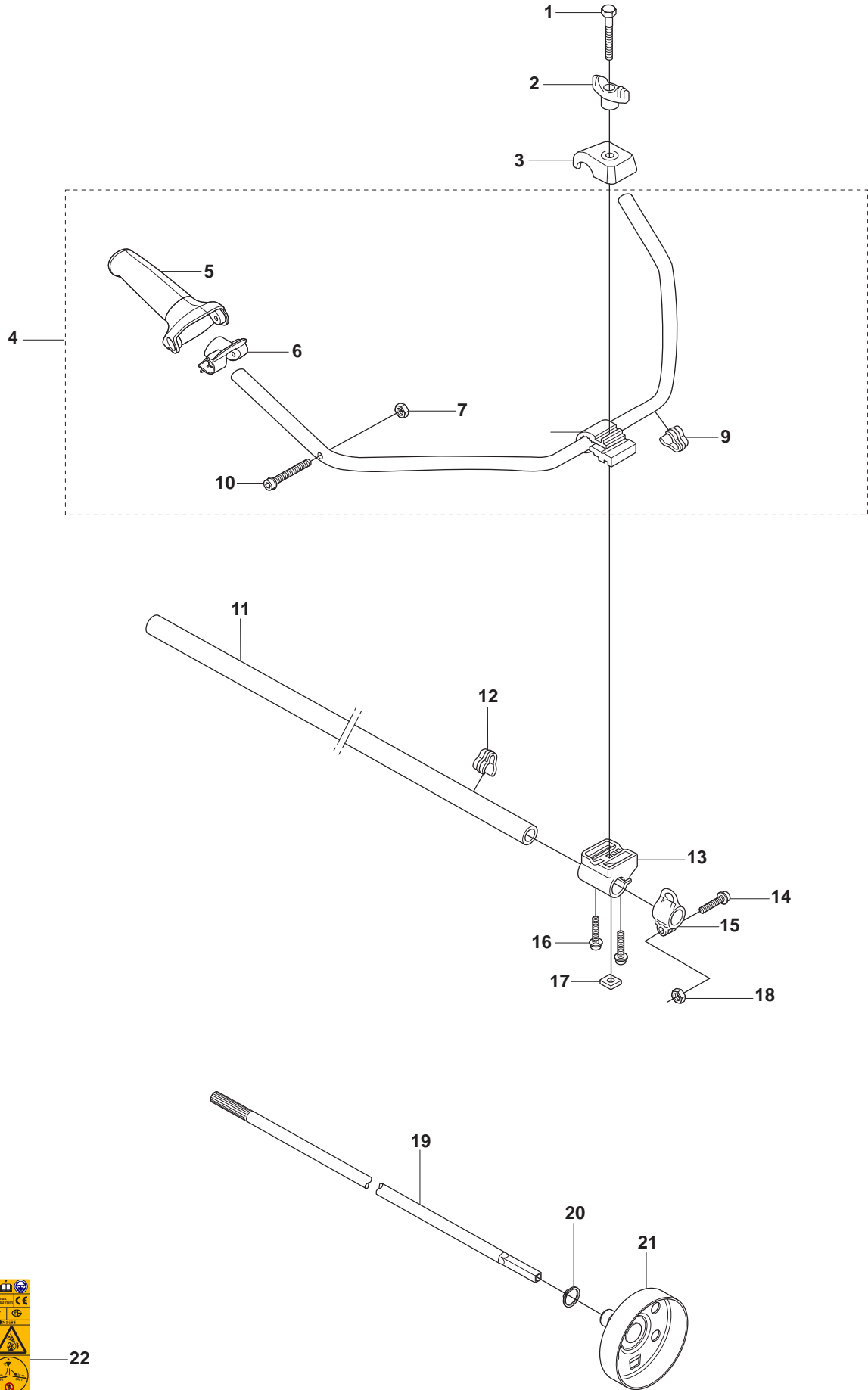




BEVEL GEAR & SHAFT

Position #	Article #	Quantity	Notes	Kit
1	537 07 65-01	1		
2	725 23 70-51	1		1
3	537 07 62-01	1		1
4	503 20 07-30	1		1
5	537 07 64-01	1		1
6	503 25 05-01	2		1
7	735 31 27-01	1		1
8	537 11 46-01	1		1
9	537 11 47-01	1		1
10	537 07 63-01	1		1
11	537 07 74-01	1	L=1431mm Ø=2400mm	
12	503 21 98-35	1		
13	537 07 68-02	1		
14	537 04 25-01	1		
15	503 22 26-01	1		
16	537 35 15-01	1		
17	735 31 12-00	1		
18	537 23 75-01	1		
19	537 29 48-02	1		
20	503 79 56-01	1		

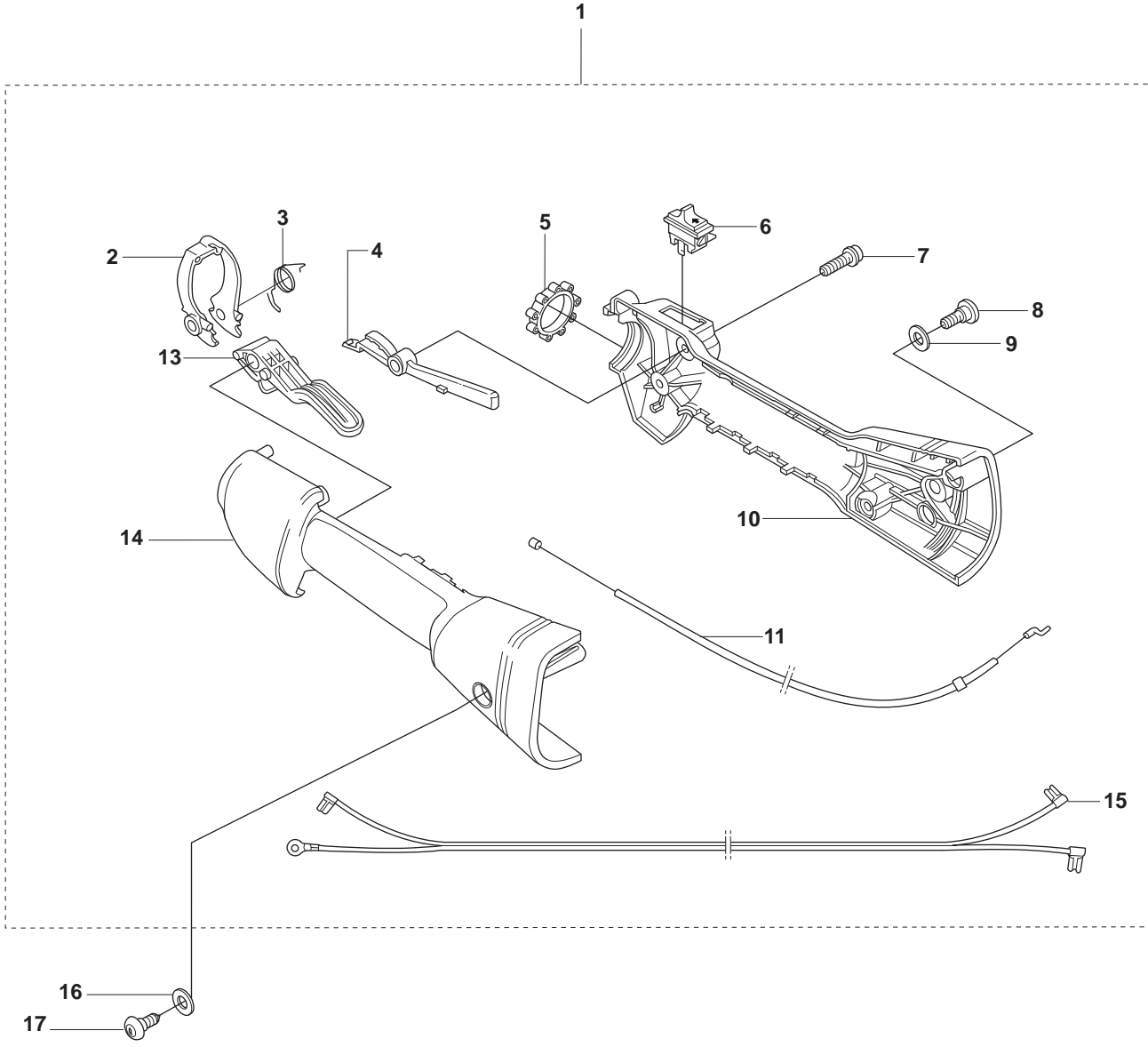
323R  
325Rx



## SHAFT &amp; HANDLE

Position #	Article #	Quantity	Notes	Kit
1	725 23 86-51	1		
2	502 20 38-01	1		
3	503 72 29-01	1		
4	503 72 43-09	1		
5	537 17 28-01	1		4
6	537 17 29-01	1		4
7	731 23 14-01	1		4
8	503 75 00-01	1	Zama C1Q-EL24	4
9	502 21 12-01	1		4
10	503 20 02-45	1		4
11	503 88 88-01	1	L=1483mm Ø=24mm	
12	502 21 12-01	1		
13	503 88 23-01	1		
14	503 20 07-16	1		
15	503 94 10-01	1		
16	503 21 75-25	2		
17	502 19 71-01	1		
18	731 23 14-01	1		
19	537 23 48-01	1	L=1525mm Ø=7mm	
20	735 31 12-00	1		
21	537 23 75-01	1		
22	537 29 48-01	1		

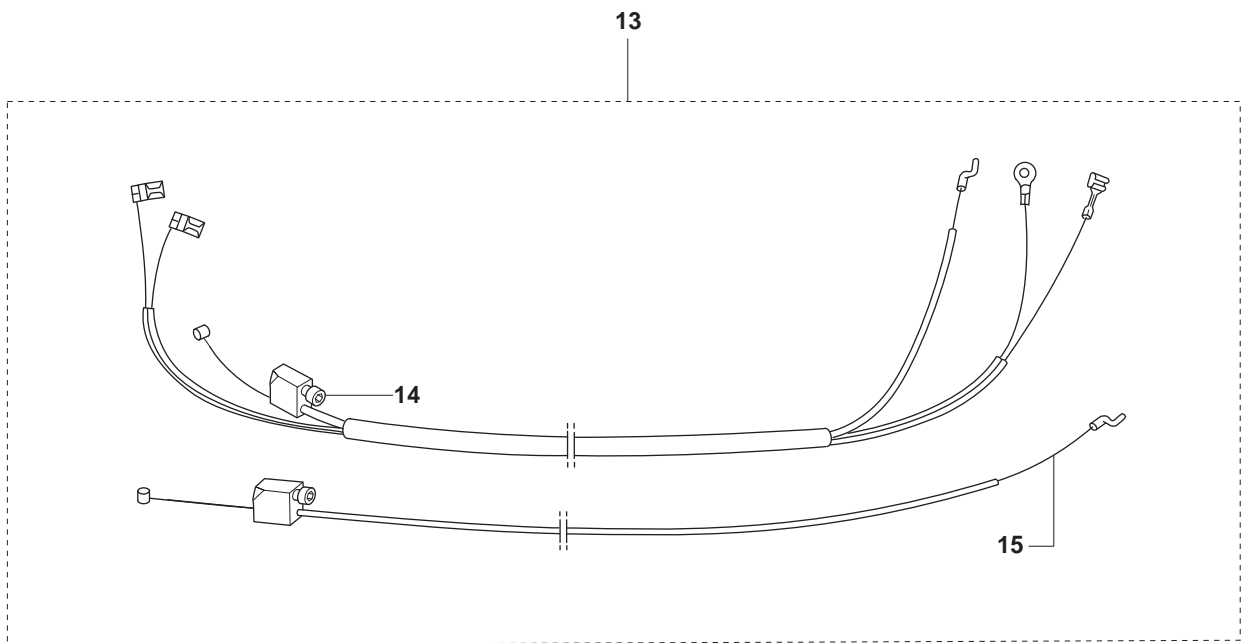
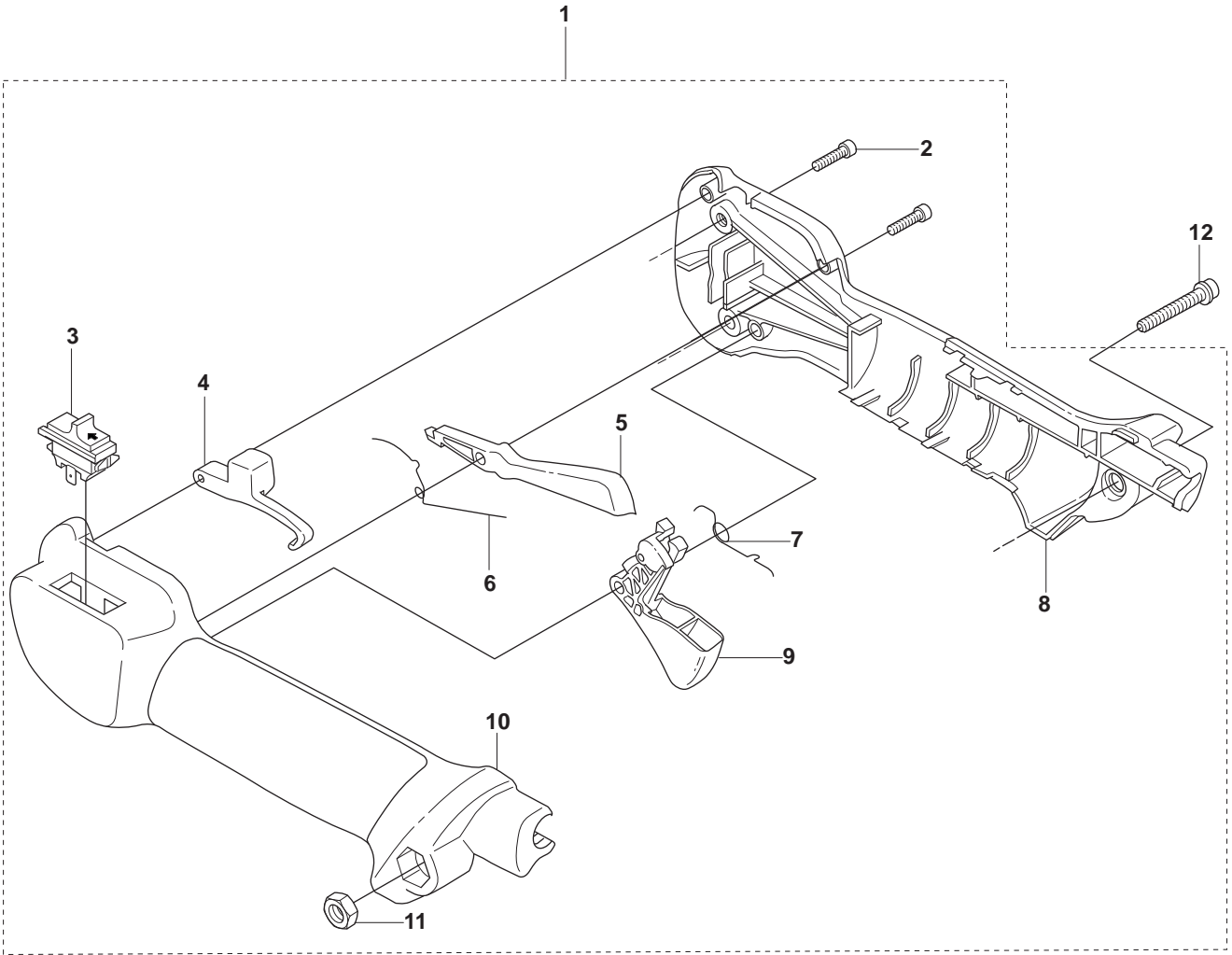
323L  
325Lx, LS, LDx, RJx



THROTTLE CONTROLS

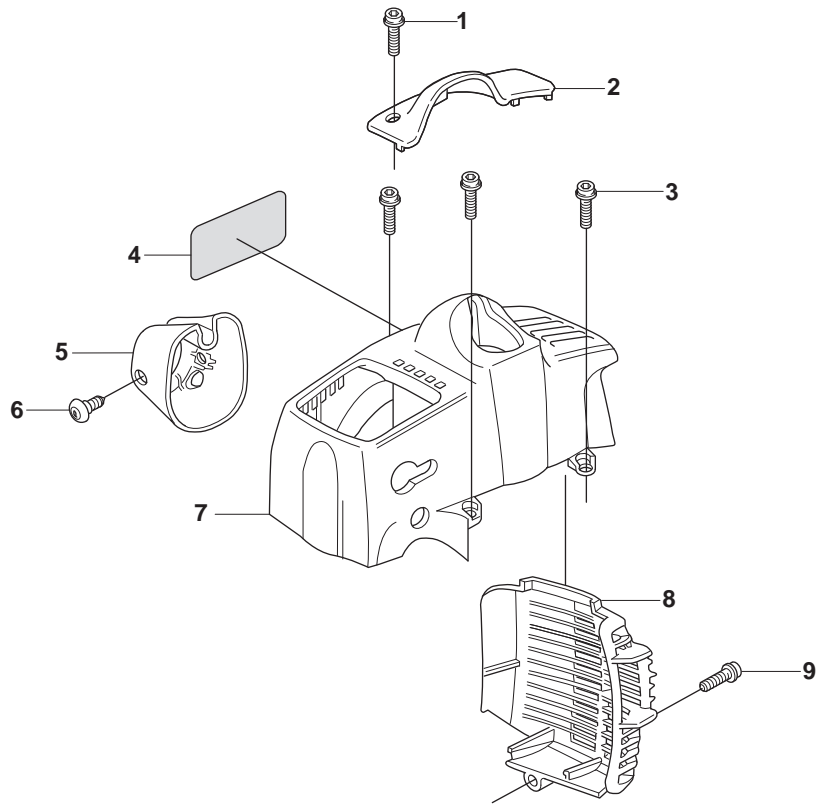
Position #	Article #	Quantity	Notes	Kit
1	503 85 29-02	1		
2	503 91 81-01	1		1
3	537 01 13-01	1		1
4	503 87 80-01	1		1
5	503 96 14-01	1	L, Lx, LS, LDx	1
6	537 41 90-01	1		1
7	503 21 66-18	5		1
8	503 96 13-01	1		1
9	740 42 06-00	1		1
10	503 99 55-01	1	L,LS	1
10	503 99 55-02	1	Lx, LDx	1
11	544 17 17-01	2		1
12	503 91 81-01	1		1
13	503 87 79-03	1		1
14	503 99 56-01	1	L, LS	1
14	503 99 56-02	1	Lx, LDx	1
15	537 41 42-01	1		1
16	740 42 06-00	2		
17	503 96 13-01	3		

323R  
325Rx



THROTTLE CONTROLS

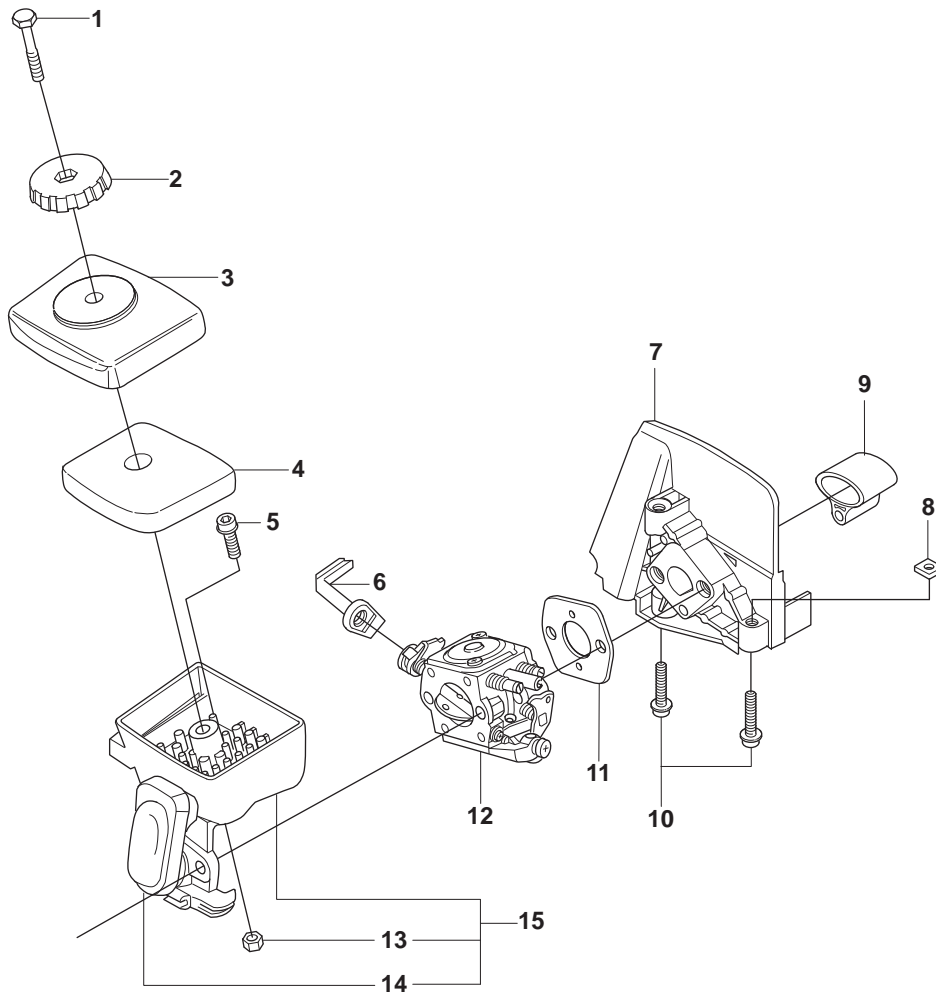
<b>Position #</b>	<b>Article #</b>	<b>Quantity</b>	<b>Notes</b>	<b>Kit</b>
1	537 42 45-13	1		
2	503 21 66-16	2		1
3	537 41 90-01	1		1
4	537 16 07-01	1		1
5	537 16 06-01	2		1
6	537 17 43-01	1		1
7	537 17 42-01	1		1
8	537 16 03-02	1		1
9	537 16 08-01	1		1
10	537 16 02-09	1		1
11	503 22 10-13	1		1
12	503 20 07-35	1		
13	537 42 44-01	1		
14	503 21 66-16	1		13
15	537 17 39-01	1		13





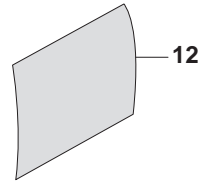
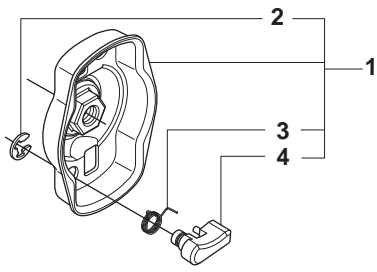
## COVER

<b>Position #</b>	<b>Article #</b>	<b>Quantity</b>	<b>Notes</b>	<b>Kit</b>
1	503 21 35-12	2		
2	537 10 44-01	1		
3	503 21 68-20	3		
3	503 20 03-16	3	M5x16	
4	537 35 33-14	1	323L	
4	537 35 33-16	1	323R	
4	537 35 33-17	1	323RJ	
4	537 35 33-15	1	323LD	
4	537 35 33-20	1	325Cx	
4	537 35 33-24	1	325Rx	
4	537 35 33-22	1	325Lx	
4	537 35 33-23	1	325LDx	
4	537 35 33-26	1	325RJx	
5	503 97 21-01	1		
6	503 96 13-01	2		
7	503 87 18-02	1		
8	537 32 08-03	1		
9	503 21 68-20	1		
9	503 20 03-16	1	M5x16	

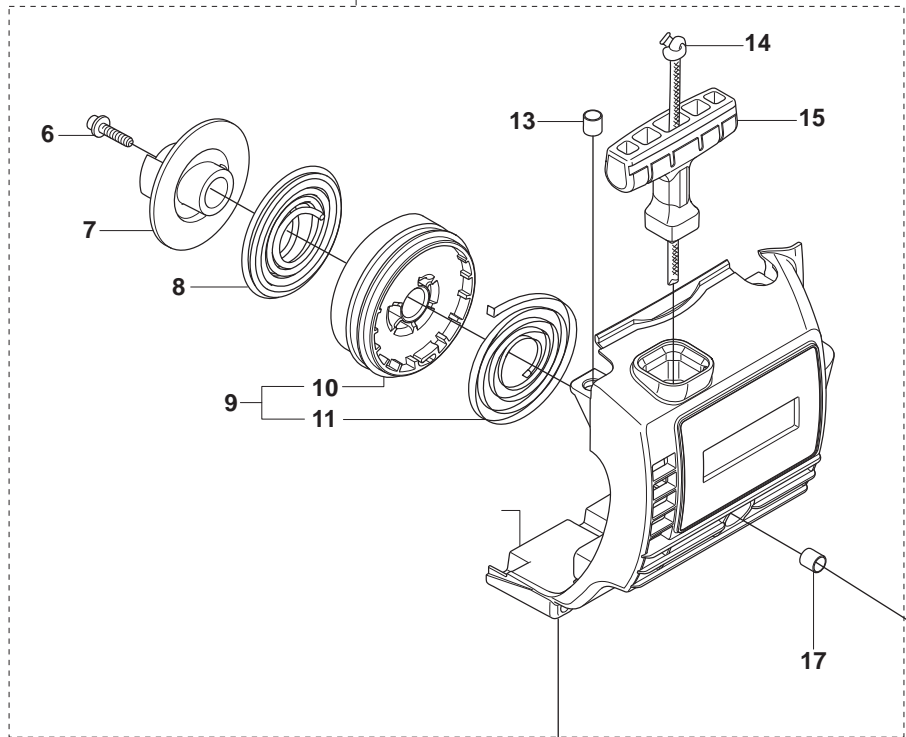


CARBURETOR & AIRFILTER

Position #	Article #	Quantity	Notes	Kit
1	502 20 65-03	1		
2	502 20 40-01	1		
3	503 88 80-02	1		
4	537 18 63-01	1		
5	503 21 75-16	1		
6	503 96 25-01	1		
7	503 91 09-01	1		
8	503 22 65-04	2		
9	503 94 26-01	1		
10	503 20 03-25	2		
11	503 49 71-01	1		
12	503 28 34-01	1	Zama C1Q-EL24	
13	731 23 14-01	1		15
14	503 88 79-01	1		15
15	503 89 03-01	1	323	

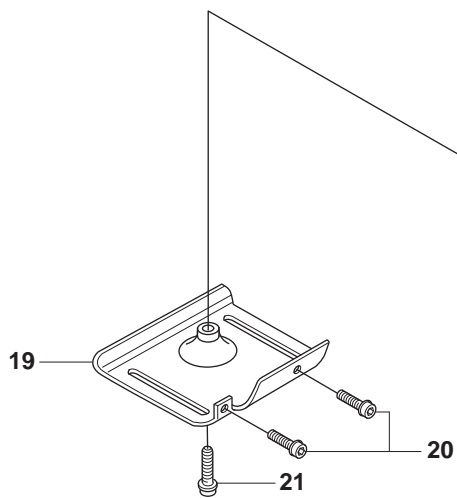


5



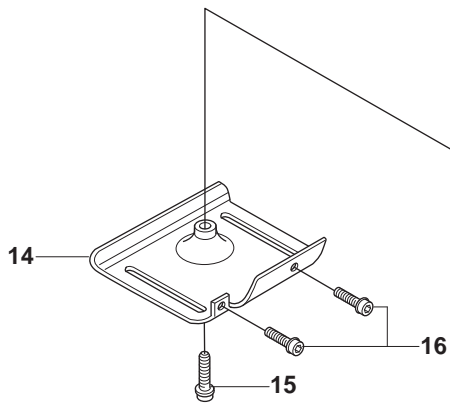
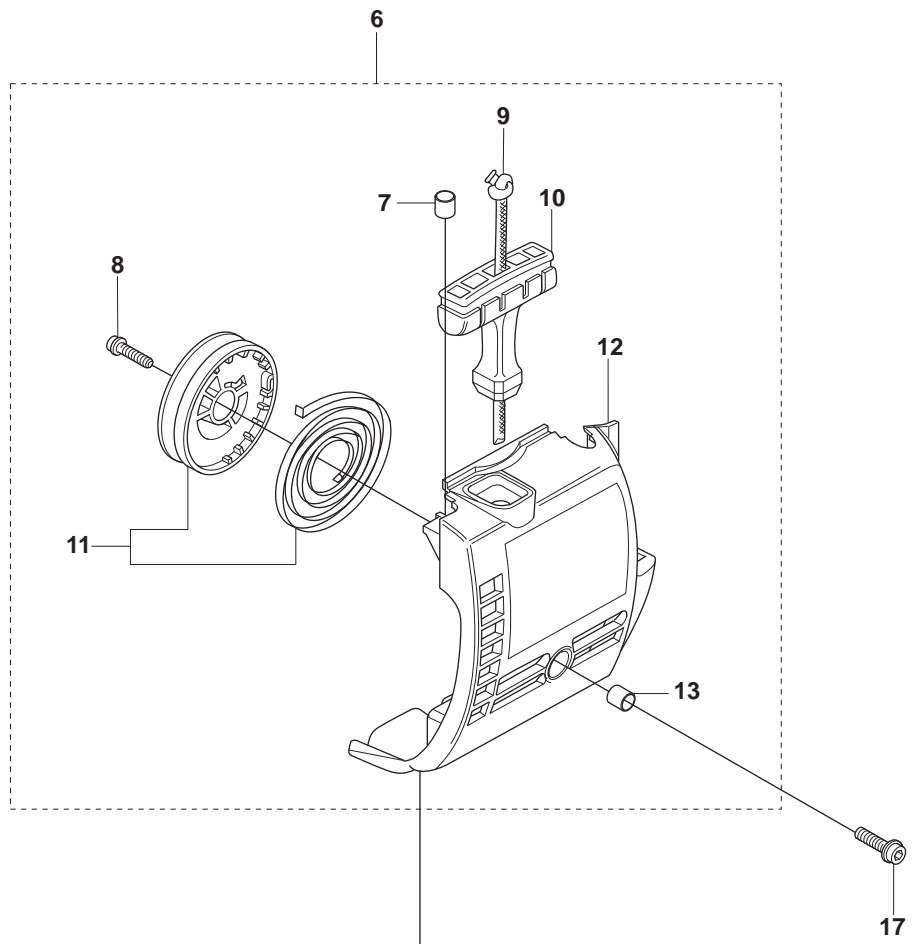
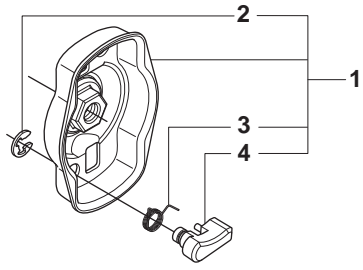
17

18



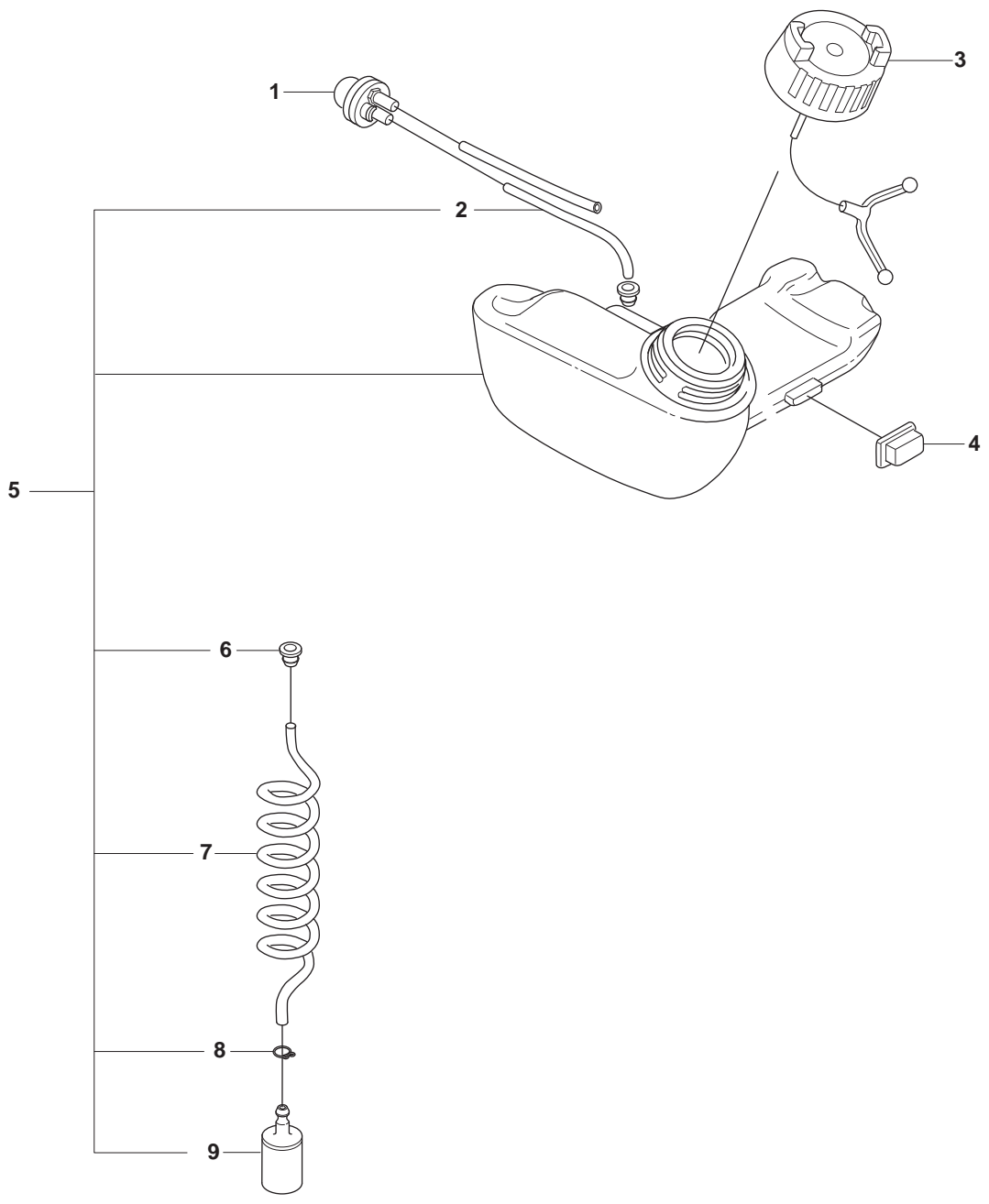
## STARTER

Position #	Article #	Quantity	Notes	Kit
1	503 87 33-05	1		
2	735 31 08-20	2		1
3	503 87 36-01	2		1
4	503 87 35-02	2		1
5	544 07 11-02	1		
6	503 21 77-25	1		5
7	544 03 87-02	1		5
8	544 03 88-02	1		5
9	544 16 65-01	1		5
10	544 03 86-01	1		5, 9
11	503 85 90-01	1		5, 9
12	537 35 34-04	1	323L	
12	537 35 34-05	1	323LD	
12	537 35 34-07	1	323R	
12	537 35 34-08	1	323RJ	
12	537 35 34-14	1	325Cx	
12	537 35 34-16	1	325Rx	
12	537 35 34-12	1	325Lx	
12	537 35 34-13	1	325LDx	
12	537 35 34-18	1	325RJx	
13	537 37 93-02	2		
14	503 85 89-01	1		5
15	537 00 84-01	1		5
16	537 41 16-01	1		5
17	537 37 93-02	1		5
18	503 21 68-20	1		
18	503 20 03-16	1	M5x16	
19	537 03 41-01	1		
20	503 21 66-18	1		
21	503 20 03-16	1	M5x16	



## STARTER

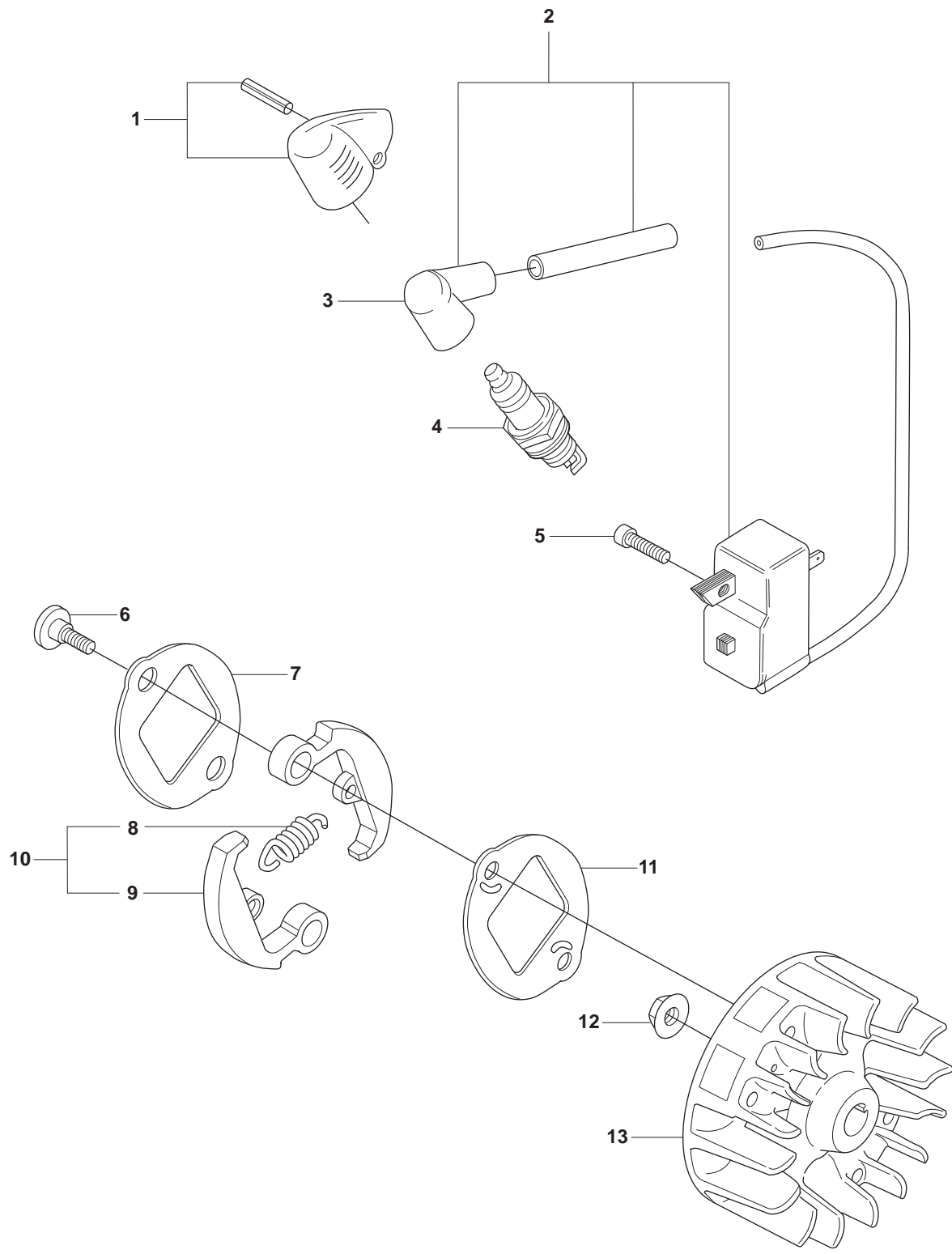
<b>Position #</b>	<b>Article #</b>	<b>Quantity</b>	<b>Notes</b>	<b>Kit</b>
1	735 31 08-20	2		
2	503 87 33-05	1		1
3	503 87 36-01	2		1
4	503 87 35-02	2		1
6	503 85 28-06			
7	537 37 93-02	2		6
8	503 21 77-16	1		6
9	503 85 89-01	1		6
10	537 00 84-01	1		6
11	503 96 49-01	1		6
12	503 85 87-02	1		6
13	537 37 93-02	1		6
14	537 03 41-01	1		
15	503 20 03-16	1	M5x16	
16	503 21 66-18	1		
17	503 20 03-16	2	M5x16	





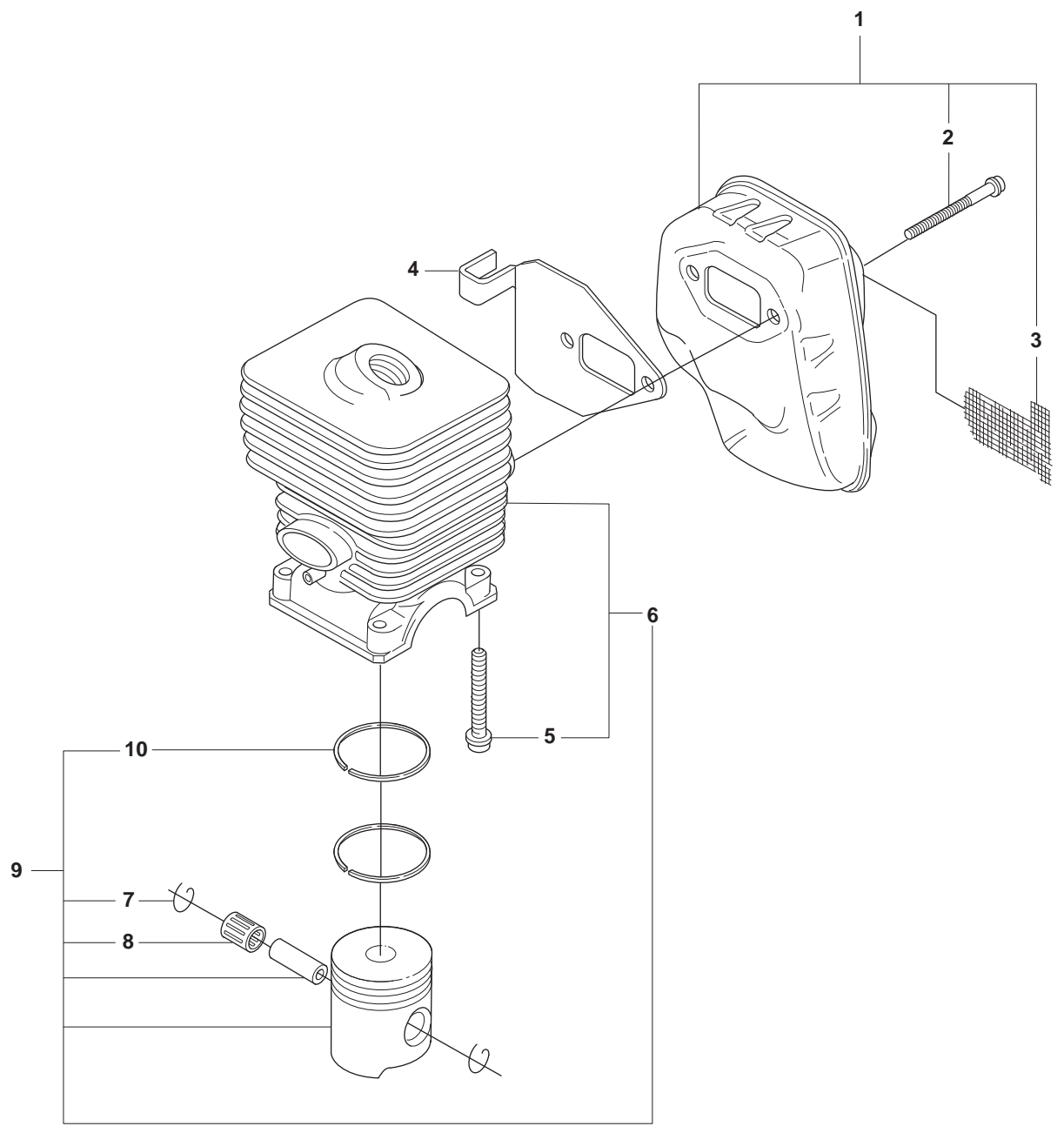
FUEL TANK

<b>Position #</b>	<b>Article #</b>	<b>Quantity</b>	<b>Notes</b>	<b>Kit</b>
1	503 93 66-01	1		
2	537 04 24-01	2		5
3	503 91 18-02	1		
4	503 91 10-01	4		
5	537 06 86-02	1		
6	503 73 58-01	2		5
7	544 32 50-01	1		5
8	504 02 24-01	1		5
9	503 44 32-01	1		5



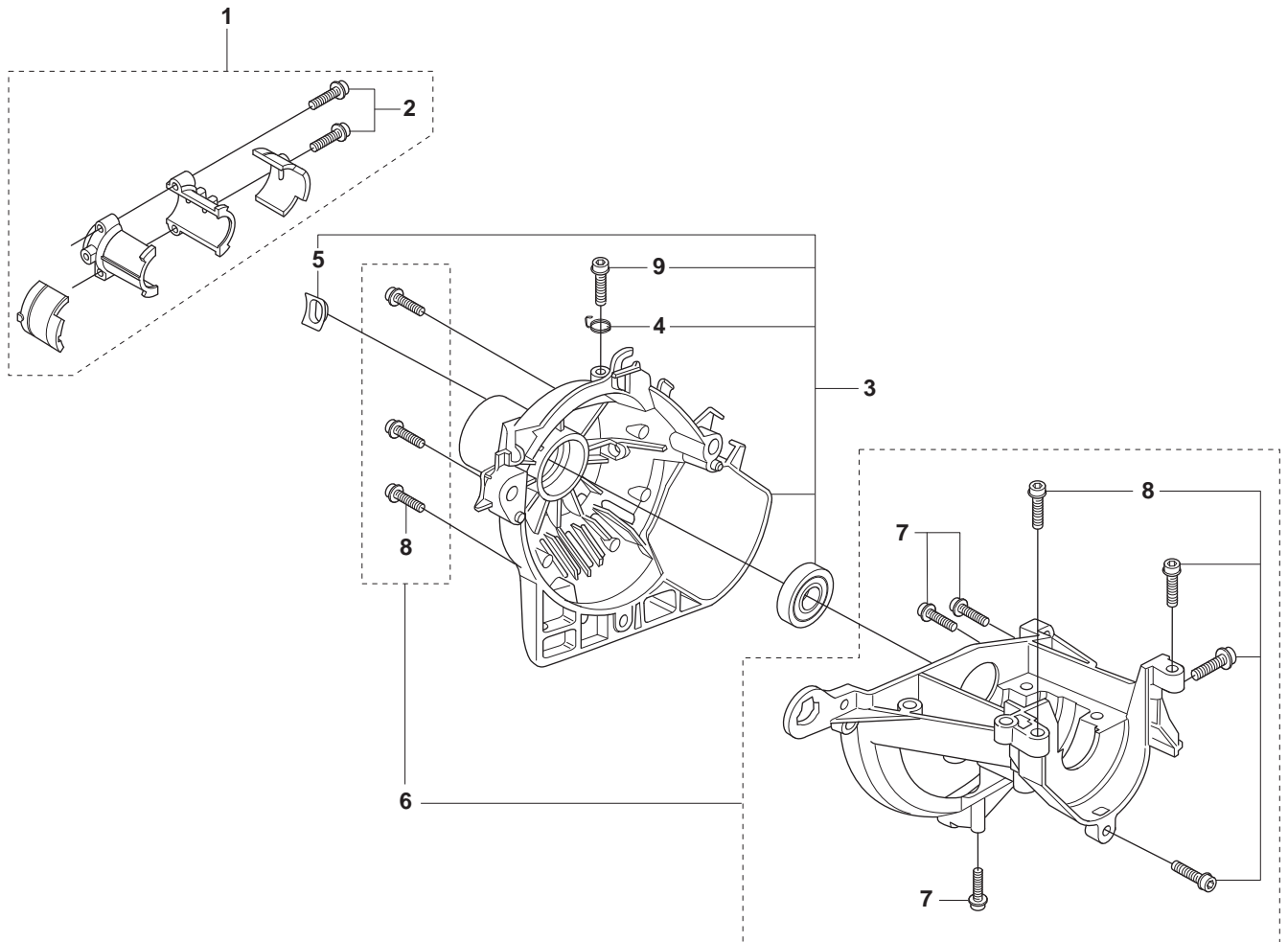
IGNITION & CLUTCH

Position #	Article #	Quantity	Notes	Kit
1	537 04 58-01	1	325x Series	
2	537 41 87-01	1		
3	537 23 96-01	1		2
4	503 23 51-08	1	Champion RCJ 7Y	2
4	503 23 51-11	1	NGK BPMR 7A	2
5	503 21 71-16	2		
6	503 84 29-02	1		
7	537 04 67-02	1		
8	503 81 60-01	1		10
9	503 84 28-01	2		10
10	537 03 22-01	1		
11	537 04 68-02	1		
12	731 71 16-51	1		
13	537 24 96-02	1		



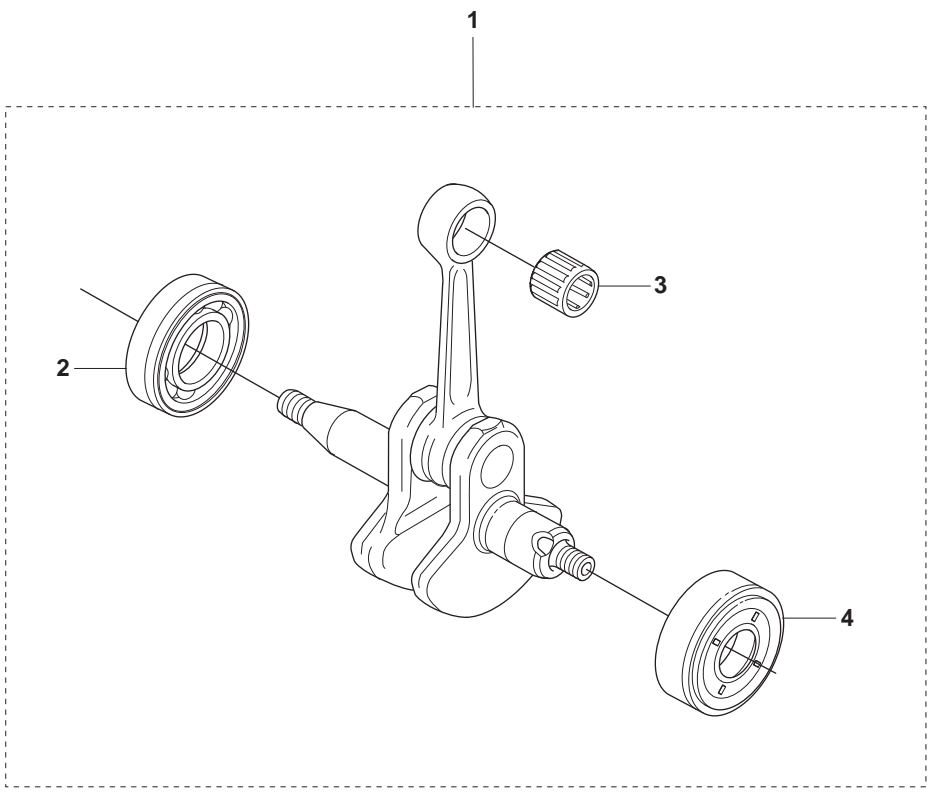
CYLINDER PISTON & MUFFLER

<b>Position #</b>	<b>Article #</b>	<b>Quantity</b>	<b>Notes</b>	<b>Kit</b>
1		1		
2	502 07 81-01	2		1
3	503 87 17-01	1	Cat.	1
4	537 01 41-01	1		
5	503 20 07-35	4		6
6	537 08 51-02	1		
7	737 44 08-00	1		9
8	503 71 22-01	1		9
9	537 40 59-02, 537 08 51-02	1		6
10	537 40 62-01	2		9



CRANK CASE

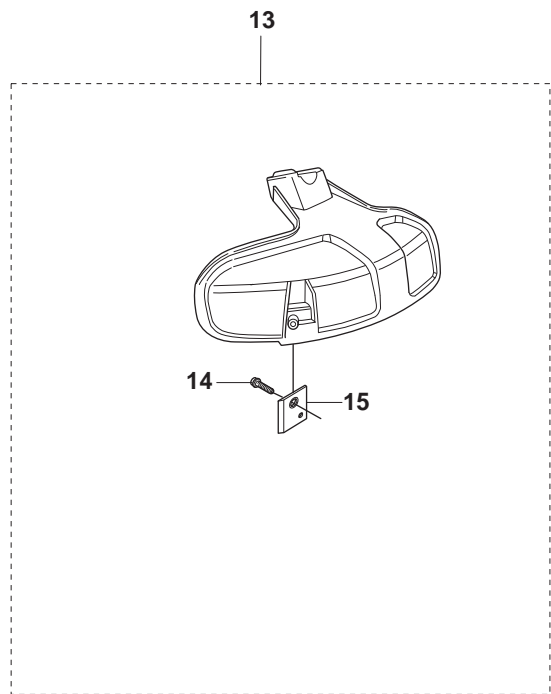
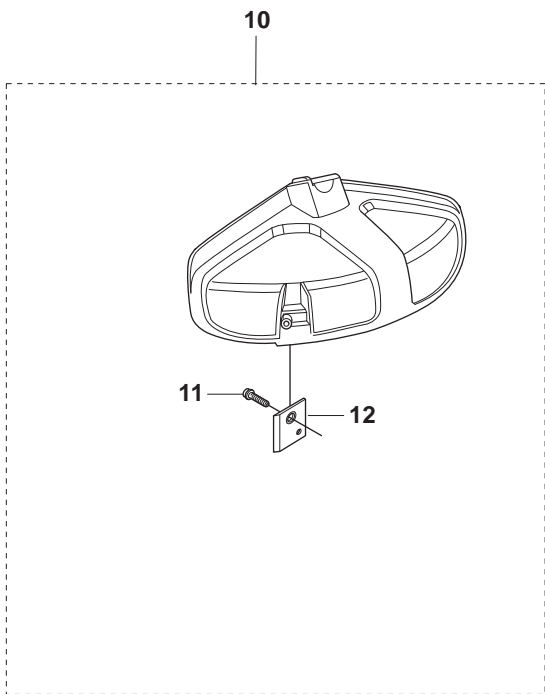
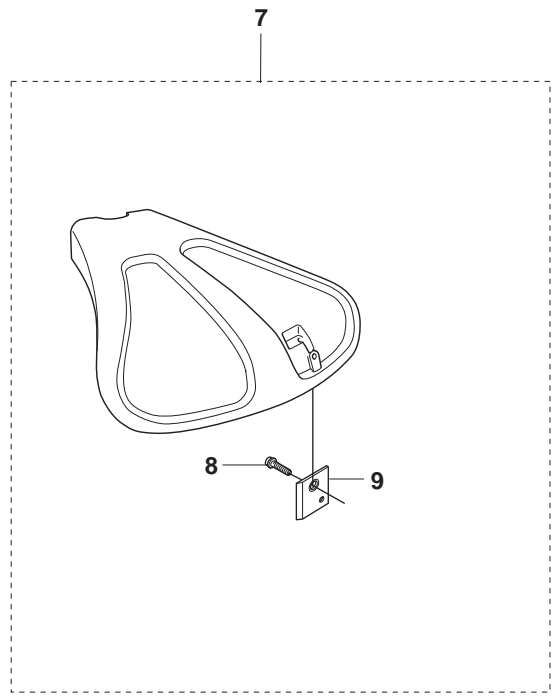
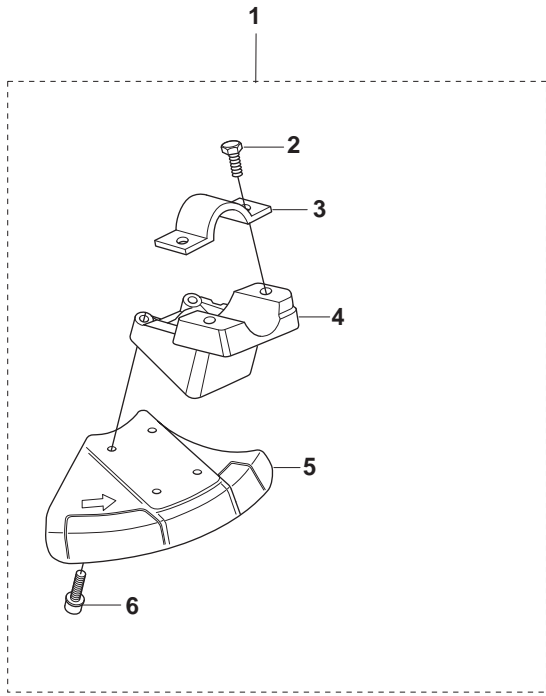
<b>Position #</b>	<b>Article #</b>	<b>Quantity</b>	<b>Notes</b>	<b>Kit</b>
1	537 30 96-01			
2	503 21 68-25	2		1
3	537 04 12-07			
4	537 07 36-01	1		3
5	537 42 50-01	1		3
6	537 04 11-03			
7	503 21 66-18	3		6
8	503 20 03-16	7		6
9	503 20 03-16	1		3





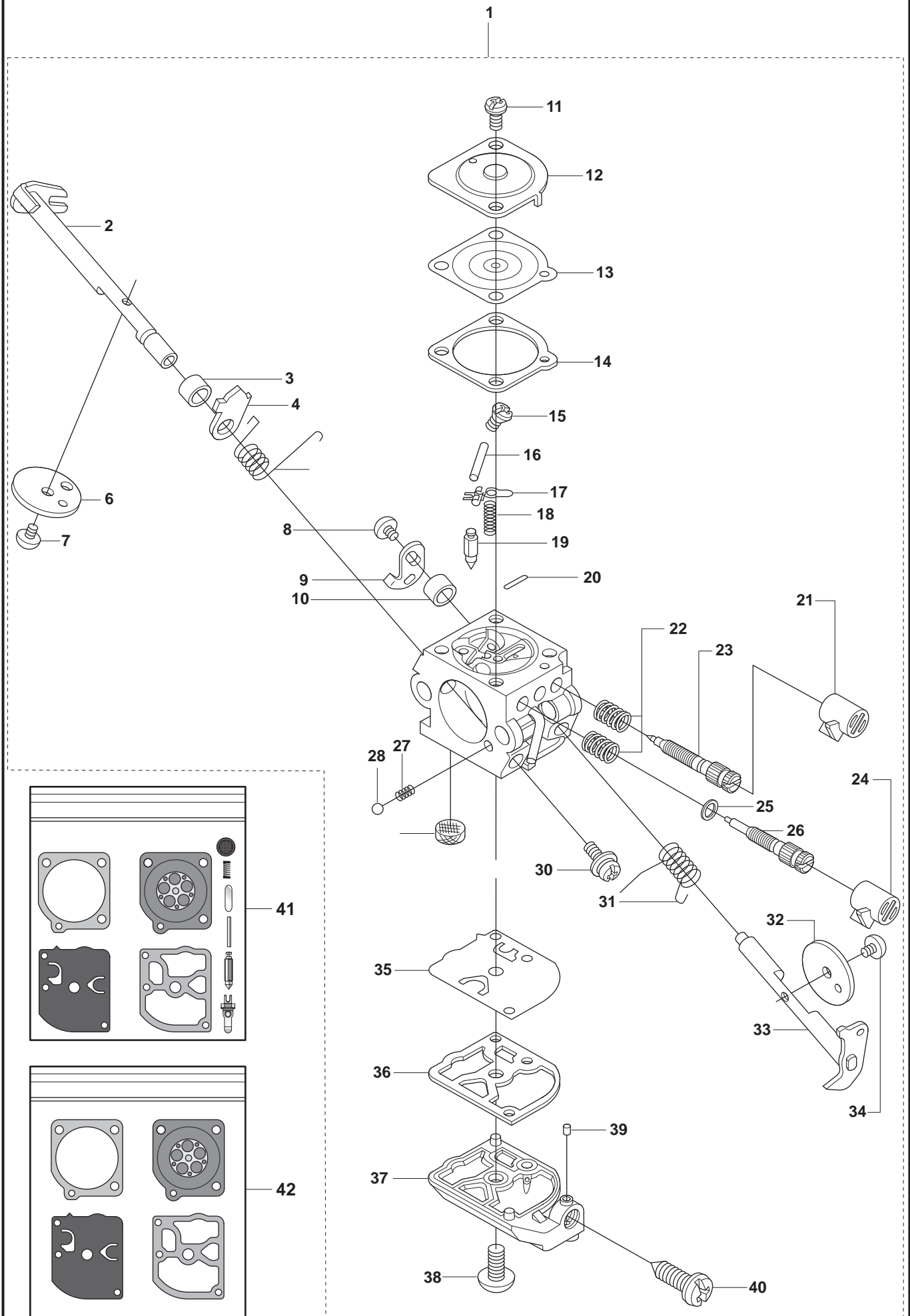
CRANK SHAFT

<b>Position #</b>	<b>Article #</b>	<b>Quantity</b>	<b>Notes</b>	<b>Kit</b>
1	503 85 24-75			
2	503 94 02-03	1		1
3	503 71 22-01	1		1
4	503 94 02-03	1		1



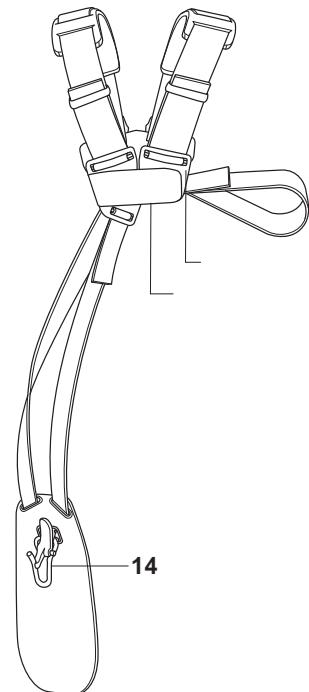
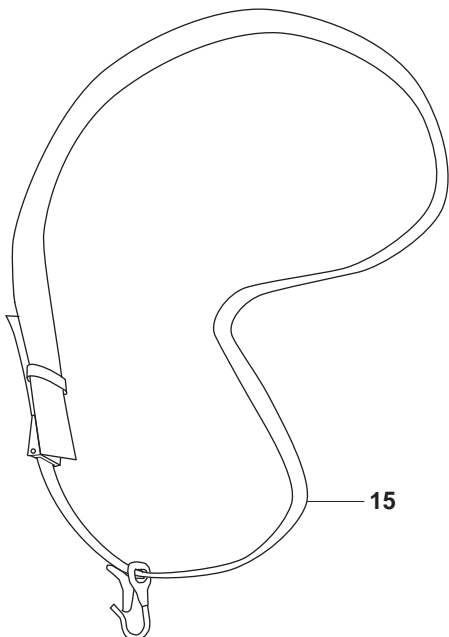
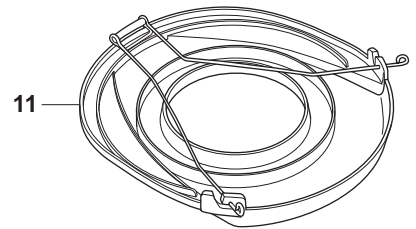
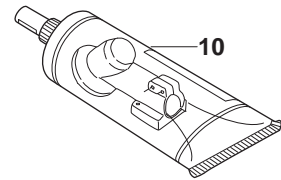
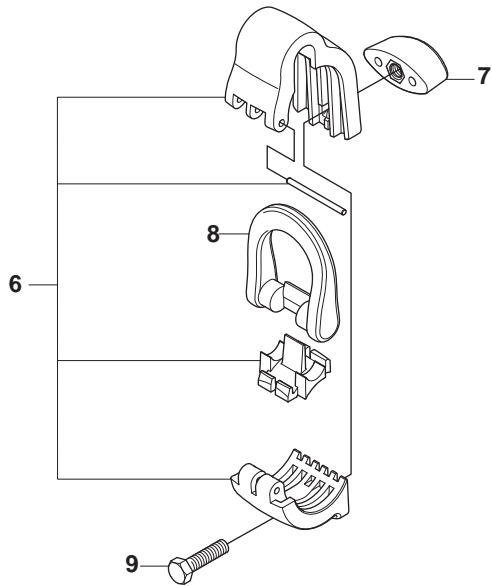
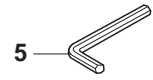
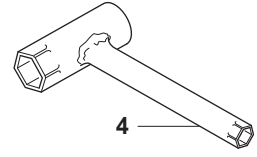
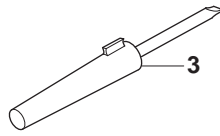
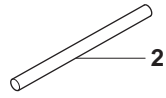
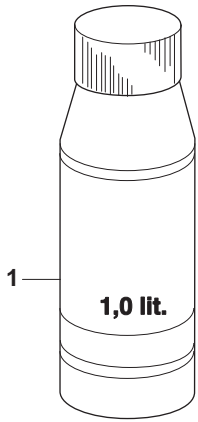
## ACCESSORIES

<b>Position #</b>	<b>Article #</b>	<b>Quantity</b>	<b>Notes</b>	<b>Kit</b>
1	537 29 95-01	1	323R, 325Rx, 325RDx	
2	725 23 68-71	2		1
3	537 04 75-01	1		1
4	537 29 34-01	1		1
5	502 27 22-01	1		1
6	503 21 75-16	4		1
7	537 07 67-01	1	325Cx	
8	503 21 07-16	1		7
9	503 79 88-01	1		7
10	503 93 42-02	1	323R, 323RJ, 325Rx, 325RJx, 325RDx	
11	503 21 07-16	1		10
12	503 79 88-01	1		10
13	503 97 71-01	1	323L, 323LD, 325Lx, 325LDx	
14	503 21 07-16	1		13
15	503 79 88-01	1		13



CARBURETOR

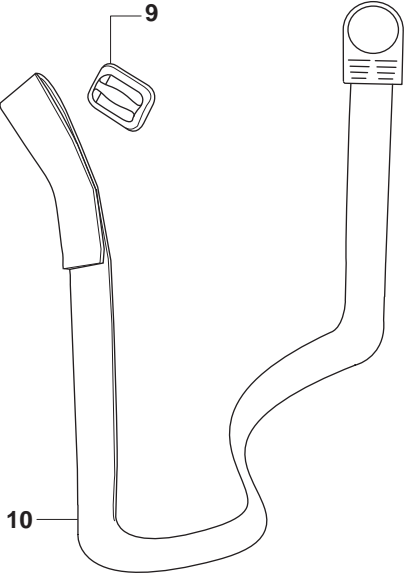
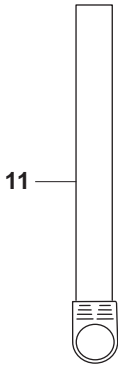
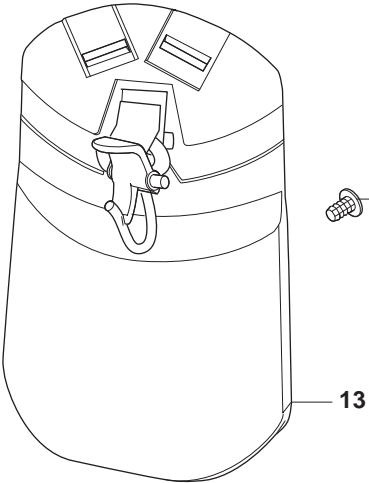
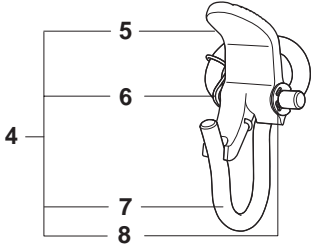
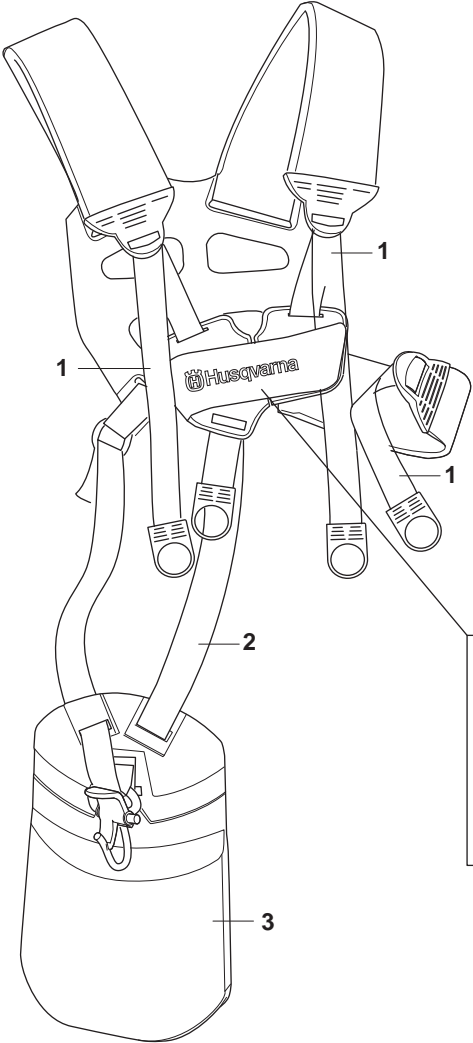
Position #	Article #	Quantity	Notes	Kit
1	503 28 34-01	0	Zama C1Q-EL24	
2	537 37 03-01	1		1
3	503 48 19-01	1		1
4	537 04 90-01	1		1
5	537 02 10-01	1		1
6	537 37 03-01	1		1
7	503 48 18-01	1		1
8	503 47 90-01	1		1
9	537 01 98-01	1		1
10	503 47 89-01	1		1
11	503 48 05-01	2		1
12	503 97 43-01	1		1
13	537 04 89-01	1		1, 41, 42
14	537 02 04-01	1		1, 41, 42
15	503 48 01-01	1		1
16	503 48 00-01	1		1, 41
17	503 66 59-01	1		1, 41
18	537 02 03-01	1		1, 41
19	503 47 97-01	1		1, 41
20	537 02 08-01	1		1, 41
21	537 02 16-01	1		1
22	503 48 08-01	1		1
23	537 12 78-01	1		1
24	537 02 16-01	1		1
25	503 97 40-01	1		1
26	537 02 06-01	1		1
27	537 01 26-01	1		1
28	537 01 25-01	1		1
29	503 53 57-01	1		1, 41
30	503 75 53-01	1		1
31	537 01 97-01	1		1
32	537 01 99-01	1		1
33	537 01 96-01	1		1
34	503 47 92-01	1		1
35	537 02 00-01	1		1, 41, 42
36	537 02 01-01	1		1, 41, 42
37	537 02 02-01	1		1
38	503 47 96-01	1		1
39	503 48 11-01	1		1
40	537 02 07-01	1		1
41	531 00 45-53	1	Repairkit	
42	531 00 45-52	1	Set of gaskets	



## ACCESSORIES

Position #	Article #	Quantity	Notes	Kit
1	531 00 92-48	1		
2	502 28 59-01	1		
3	501 60 02-03	1		
4	502 11 46-02	1		
5	502 21 58-01	1		
6	537 35 36-01	1		
7	537 13 04-02			
8	537 35 01-01	1		6
9	725 23 31-51	1		
10	503 97 64-01	1		
11	537 31 29-01	1	200-275mm	
12	503 73 40-01			
13	503 73 41-02			
14	502 02 28-02	1		
15	537 21 62-01	1		
15	537 21 62-02	1	USA	

Duo Balance





HARNESS

<b>Position #</b>	<b>Article #</b>	<b>Quantity</b>	<b>Notes</b>	<b>Kit</b>
1	503 99 61-01			
2	503 99 61-03			
3	537 27 59-01			
4	502 02 28-01			
5	502 02 30-02			4
6	502 02 38-01			4
7	502 02 29-02			4
8	735 31 09-20			4
9	537 11 35-01			
10	503 99 61-03			
11	503 99 61-01	3		
12	537 17 54-01	3		
13	537 27 59-01			