

250 R

252 RX

Spare parts

Ersatzteile

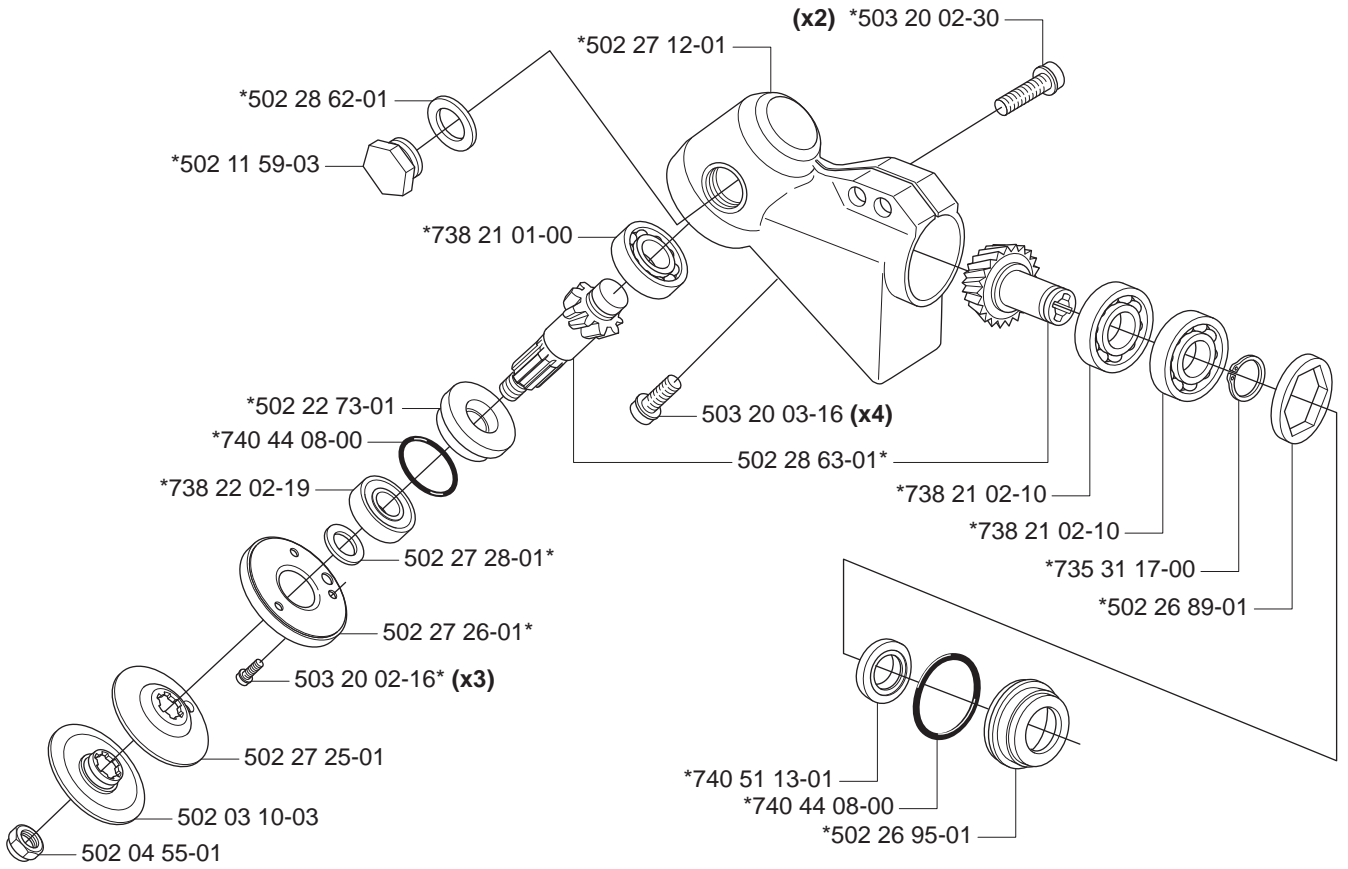
Pièces détachées

Reserve onderdelen

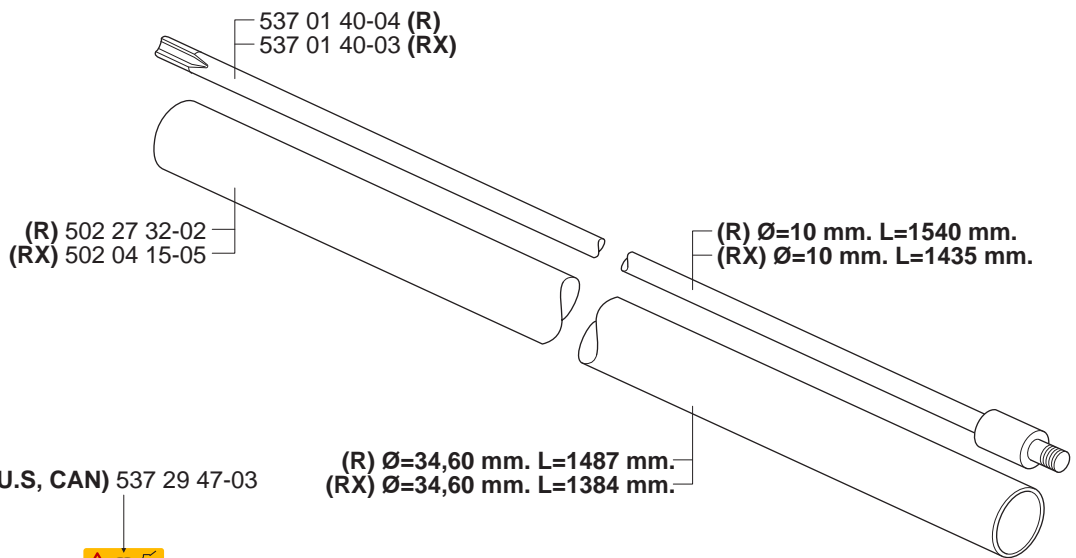
Repuestos

Reservdelar

A *compl 502 27 11-02



B



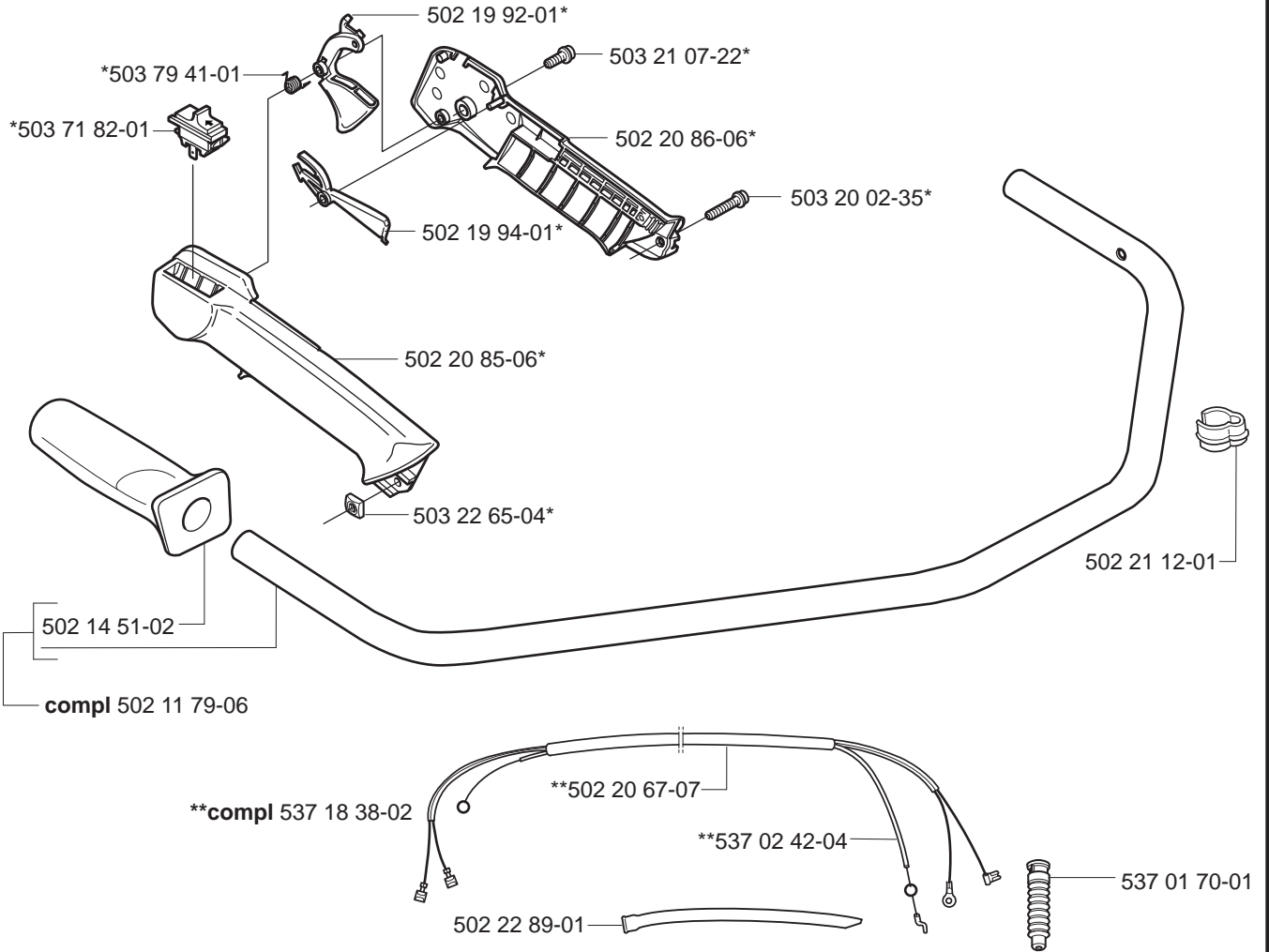
537 29 47-06

(U.S. CAN) 537 29 47-03

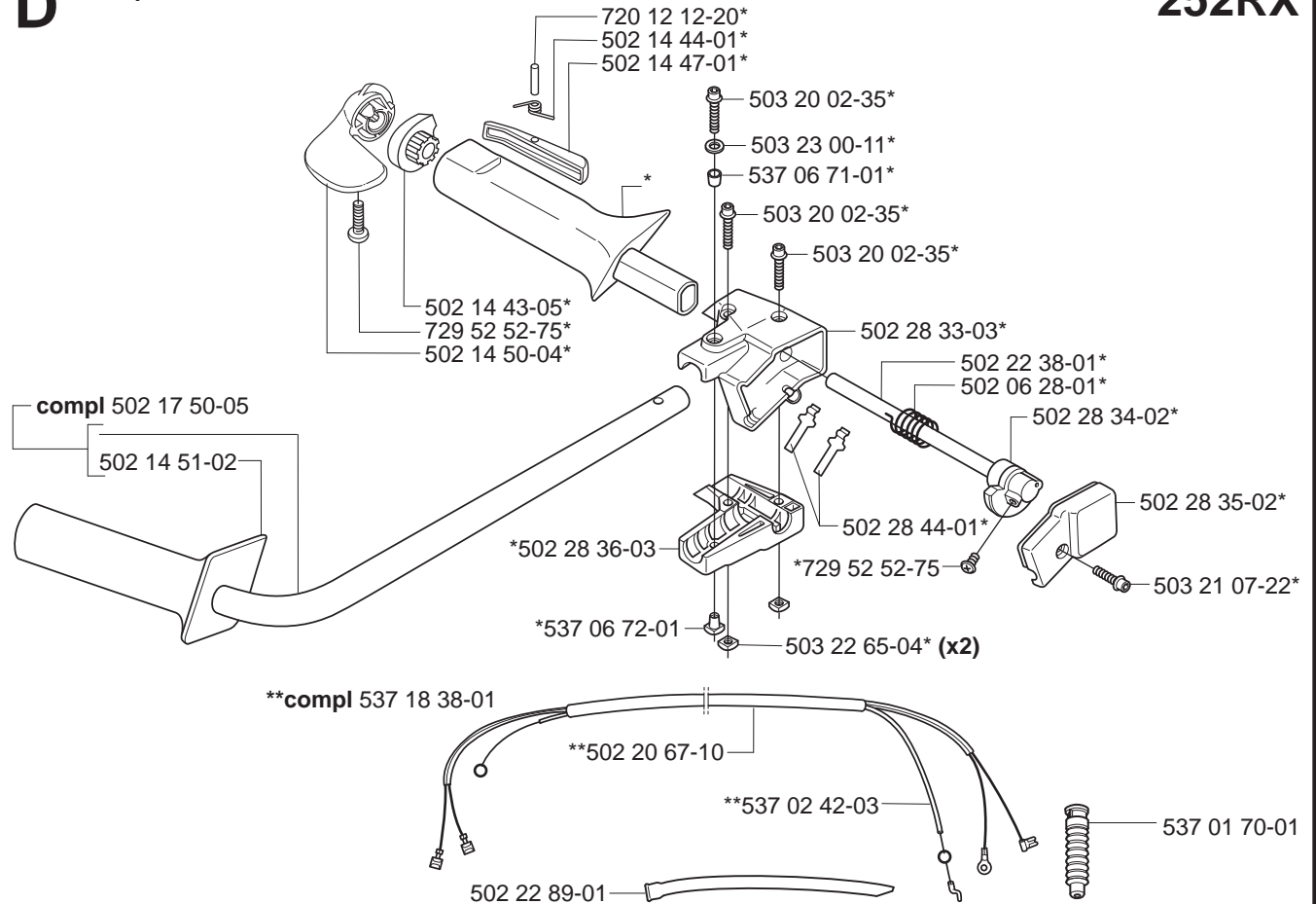


C

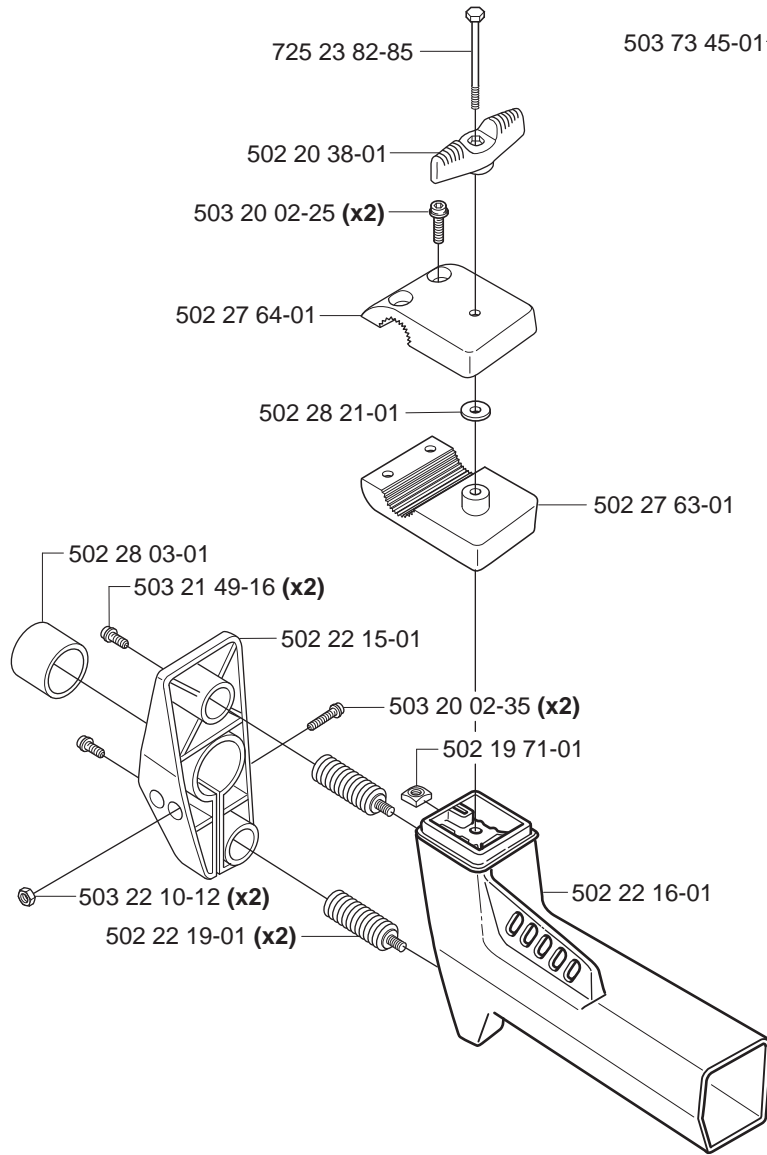
*compl 502 28 06-14

250R**D**

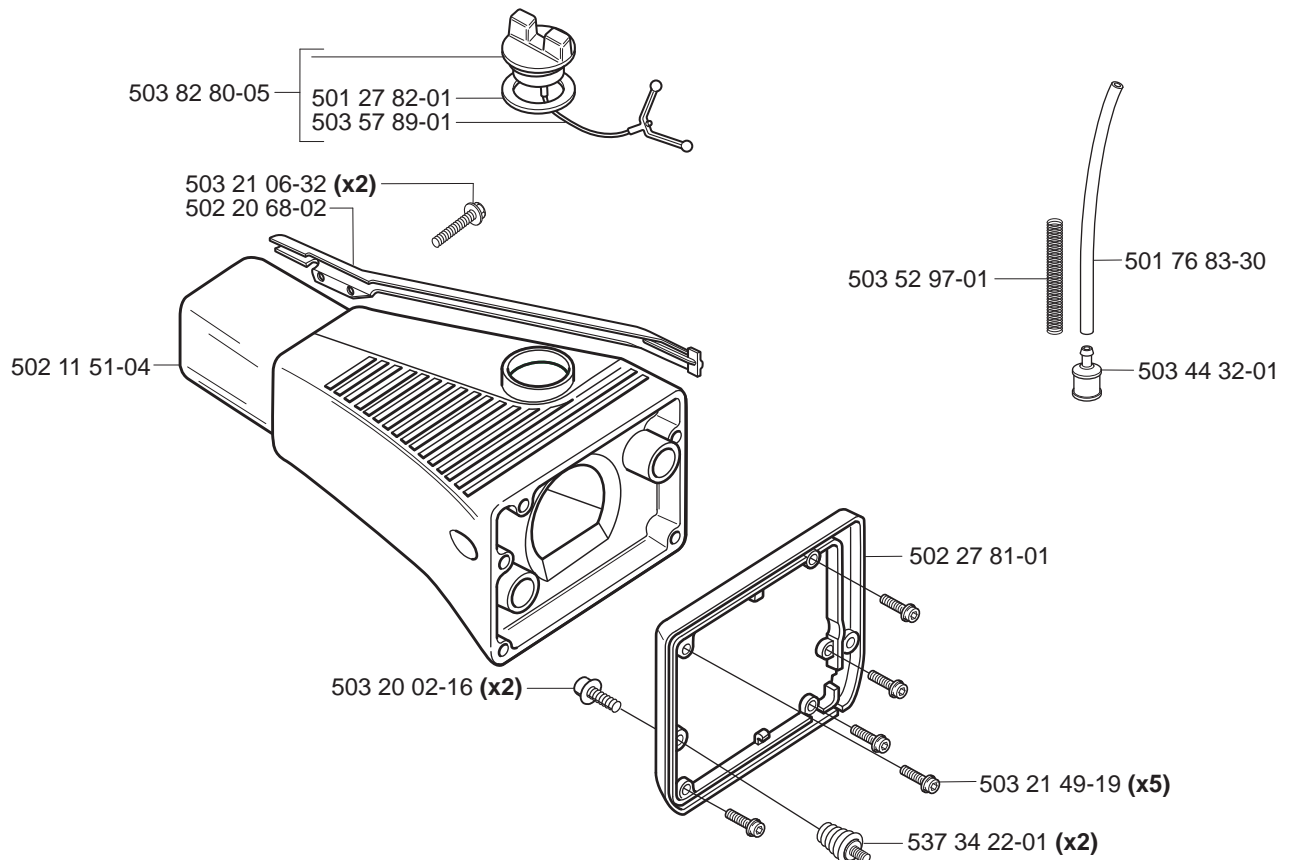
*compl 502 28 37-05

252RX

E

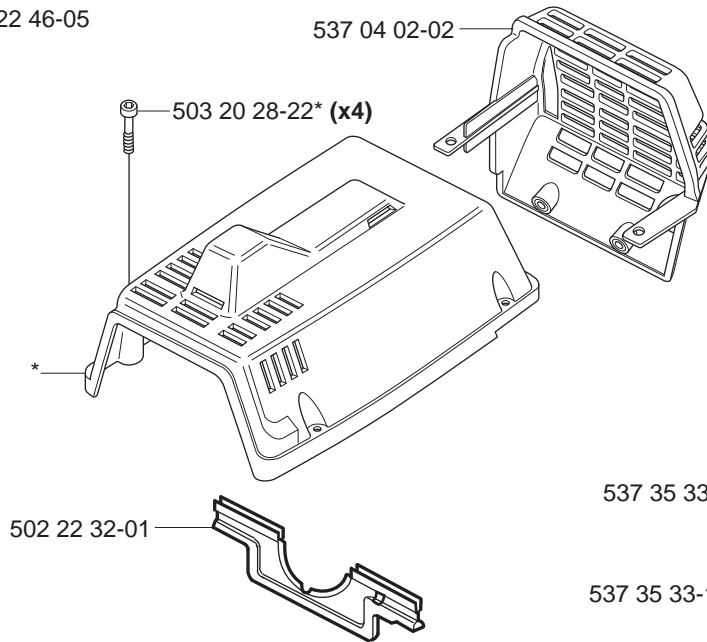


F



G

*compl 502 22 46-05



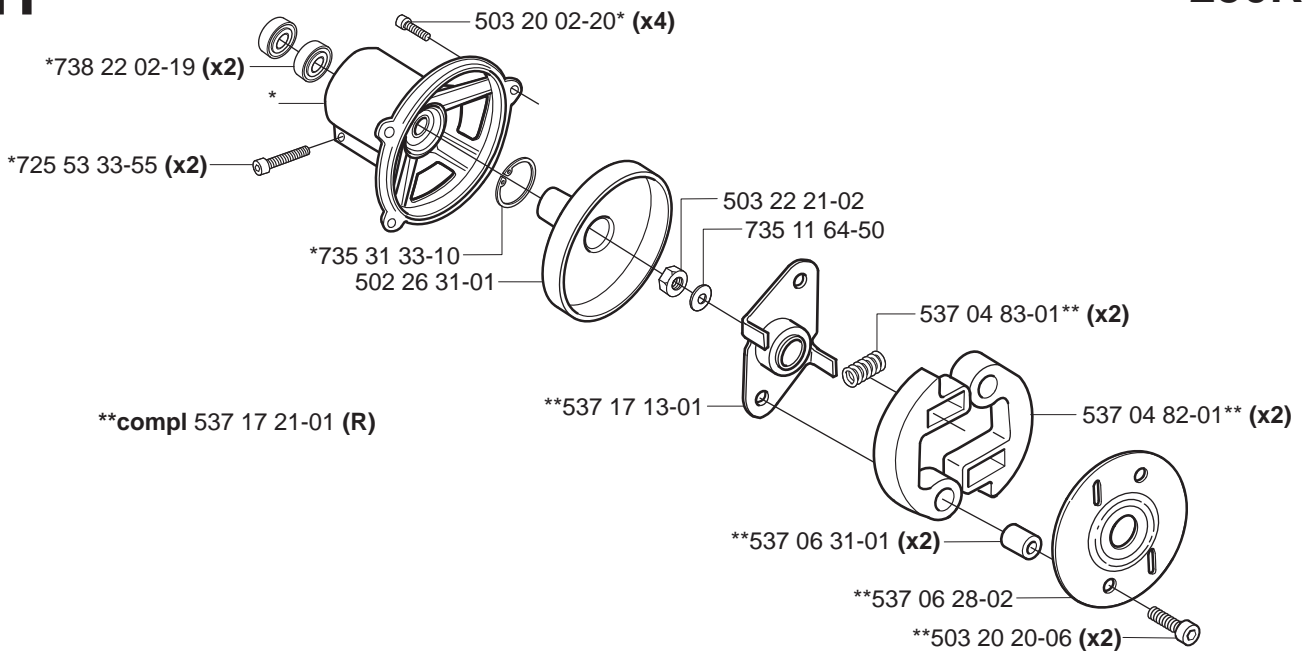
537 35 33-11 (250R)

250 R

537 35 33-12 (252RX)

252 RX
H

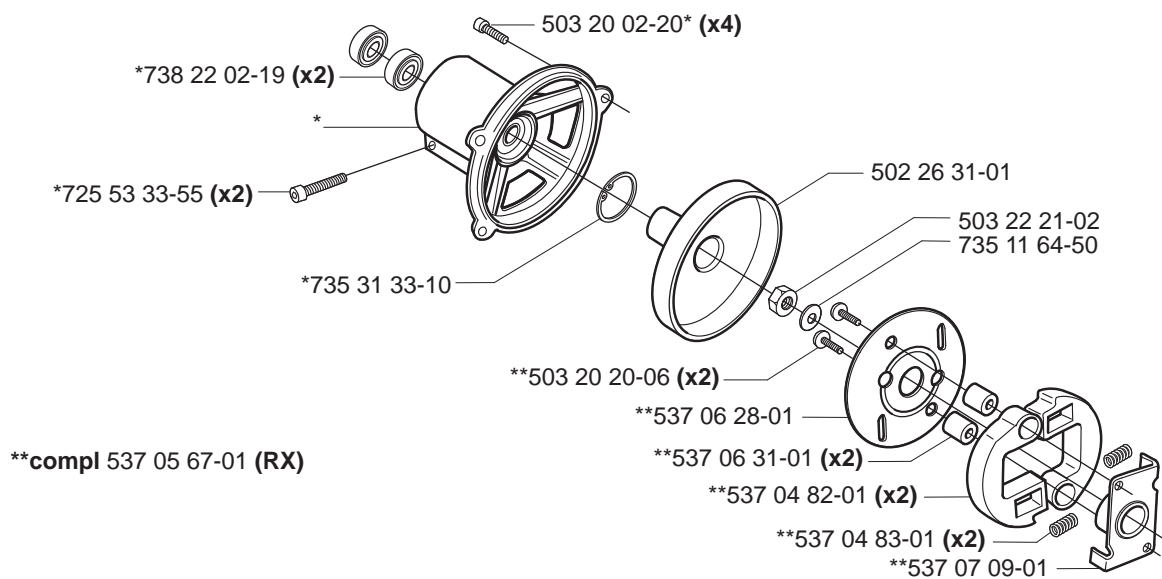
*compl 537 15 51-01

250R

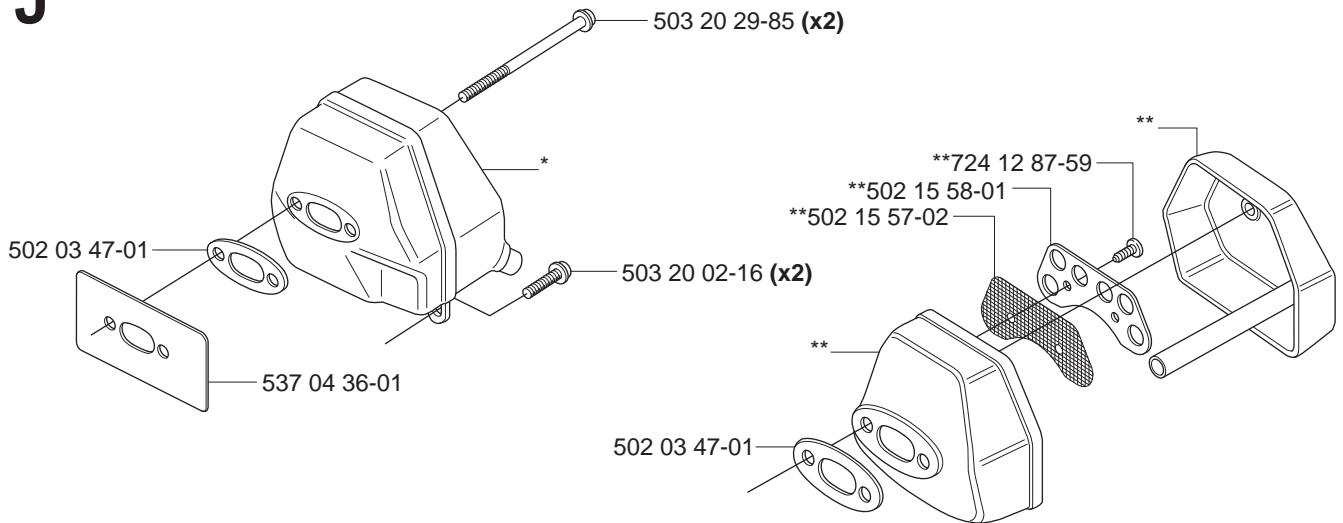
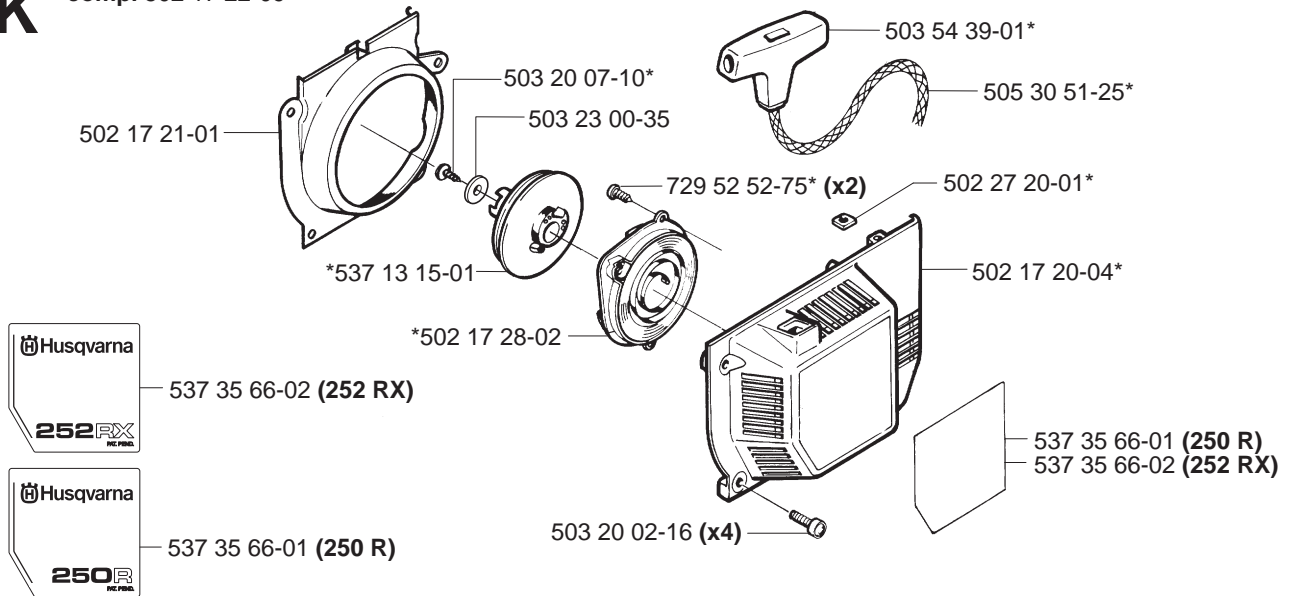
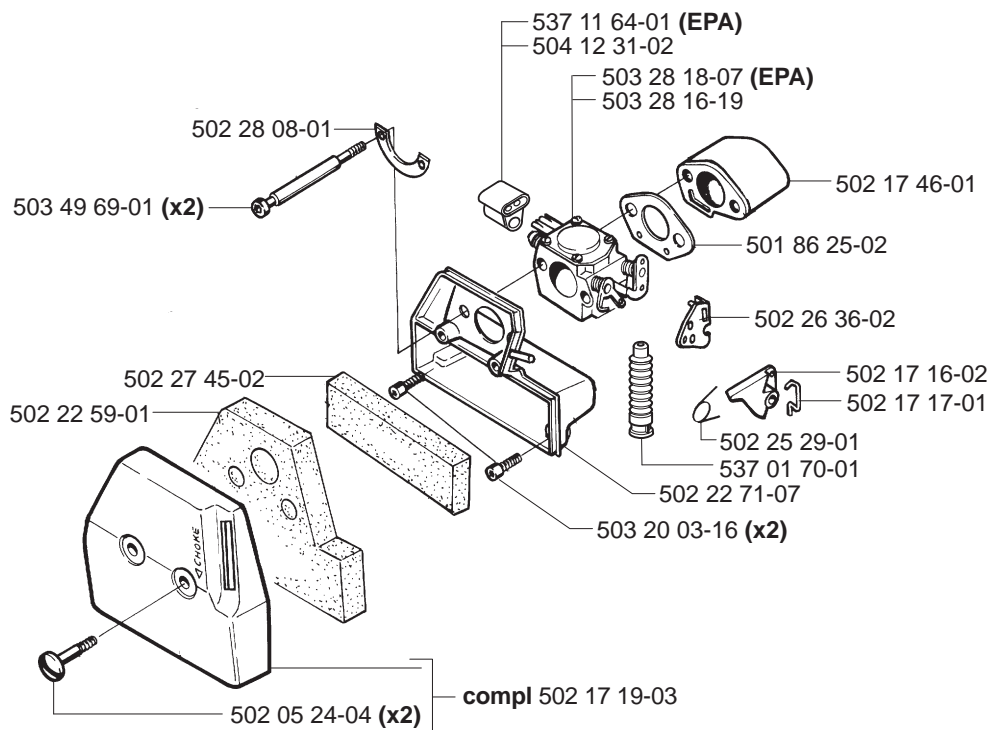
**compl 537 17 21-01 (R)

H

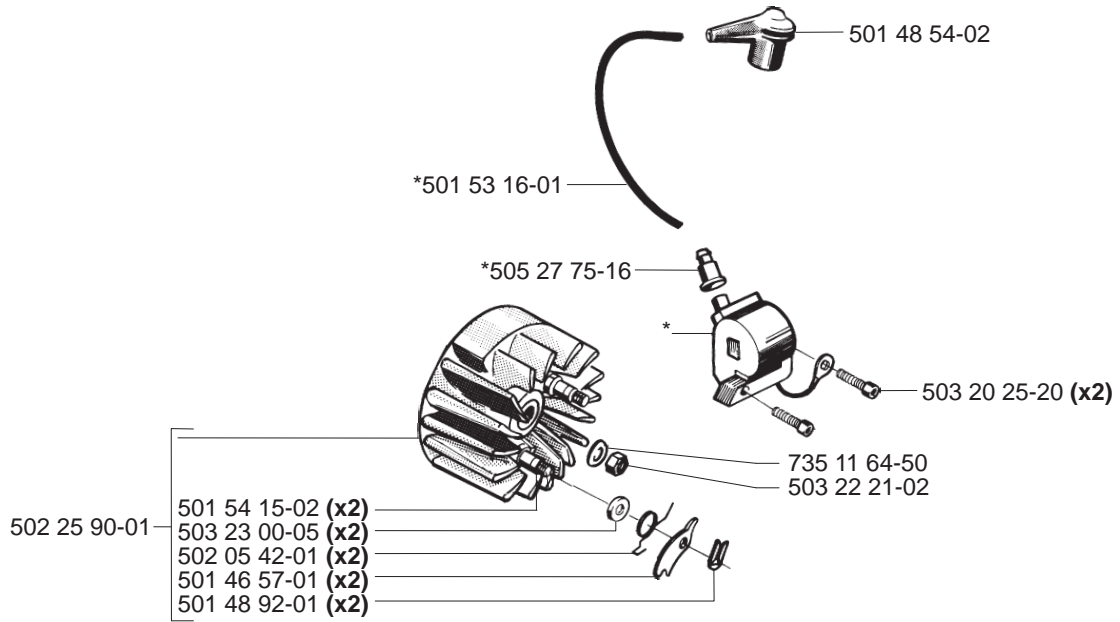
*compl 537 15 51-01

252RX

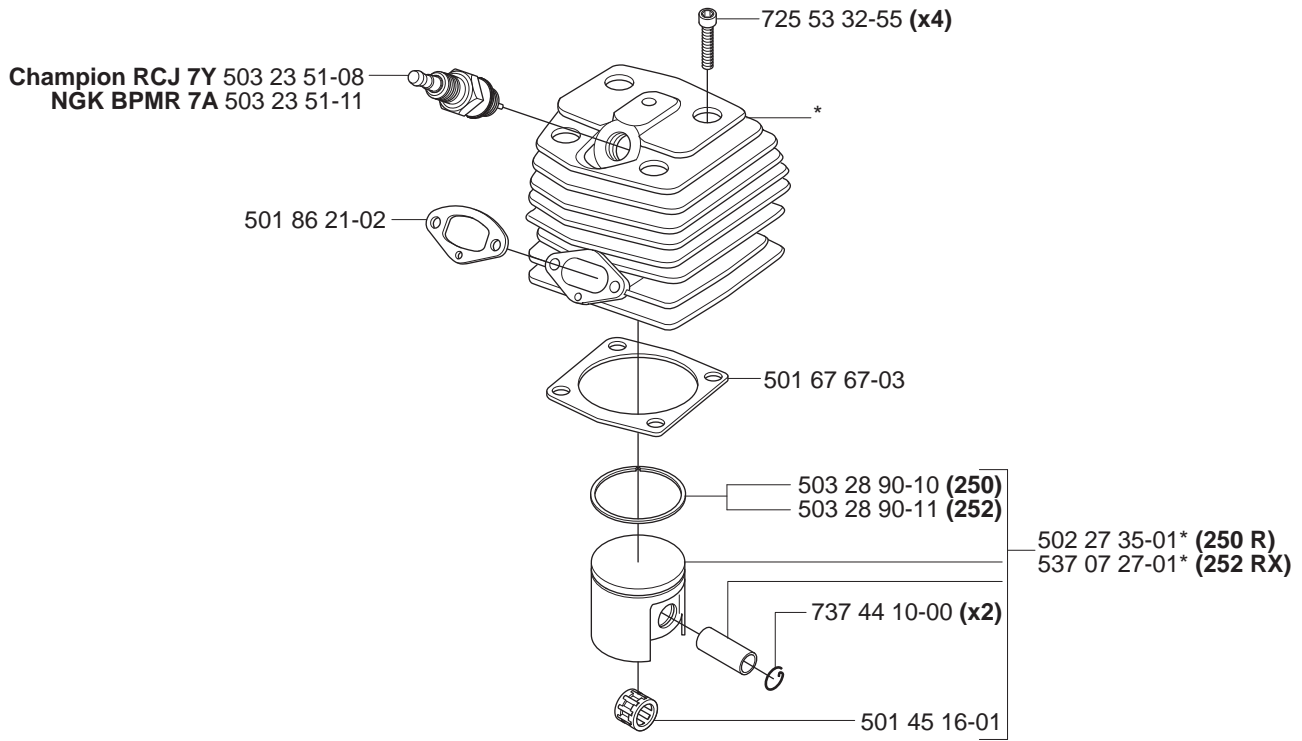
**compl 537 05 67-01 (RX)

J***compl 537 15 06-01******compl 537 15 07-01 (EPA)****K*****compl 502 17 22-09****L**

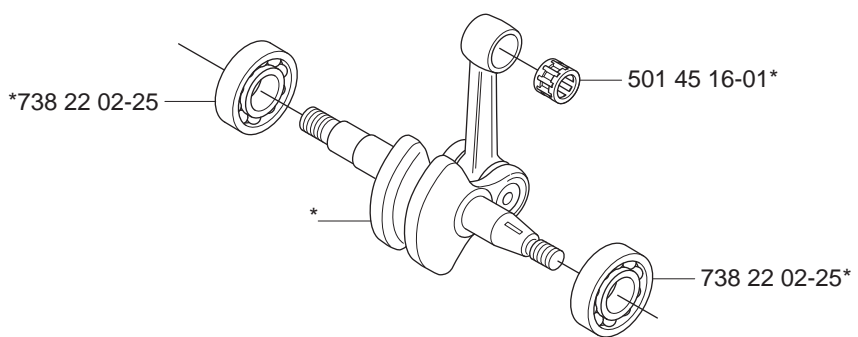
M *compl 537 15 00-01



N *compl 502 27 34-01 (250 R Ø 44 mm)
 *compl 502 22 77-02 (252 RX Ø 45 mm)

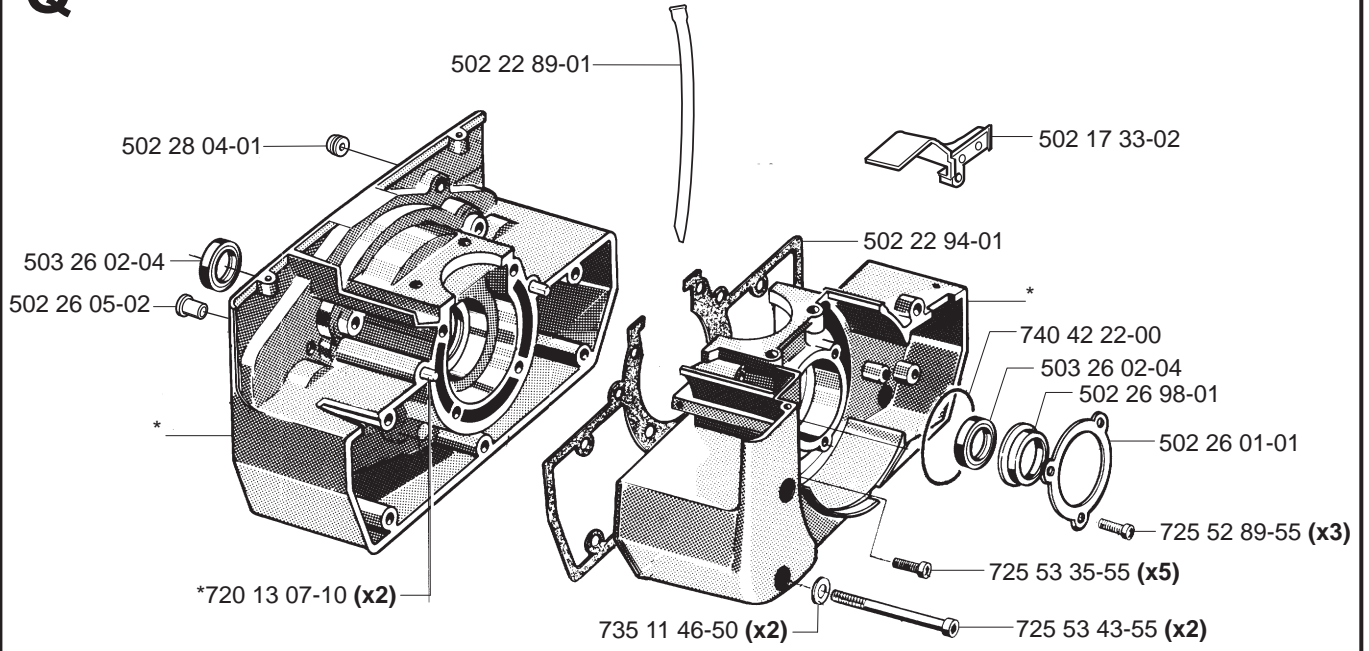


P *compl 502 05 08-74



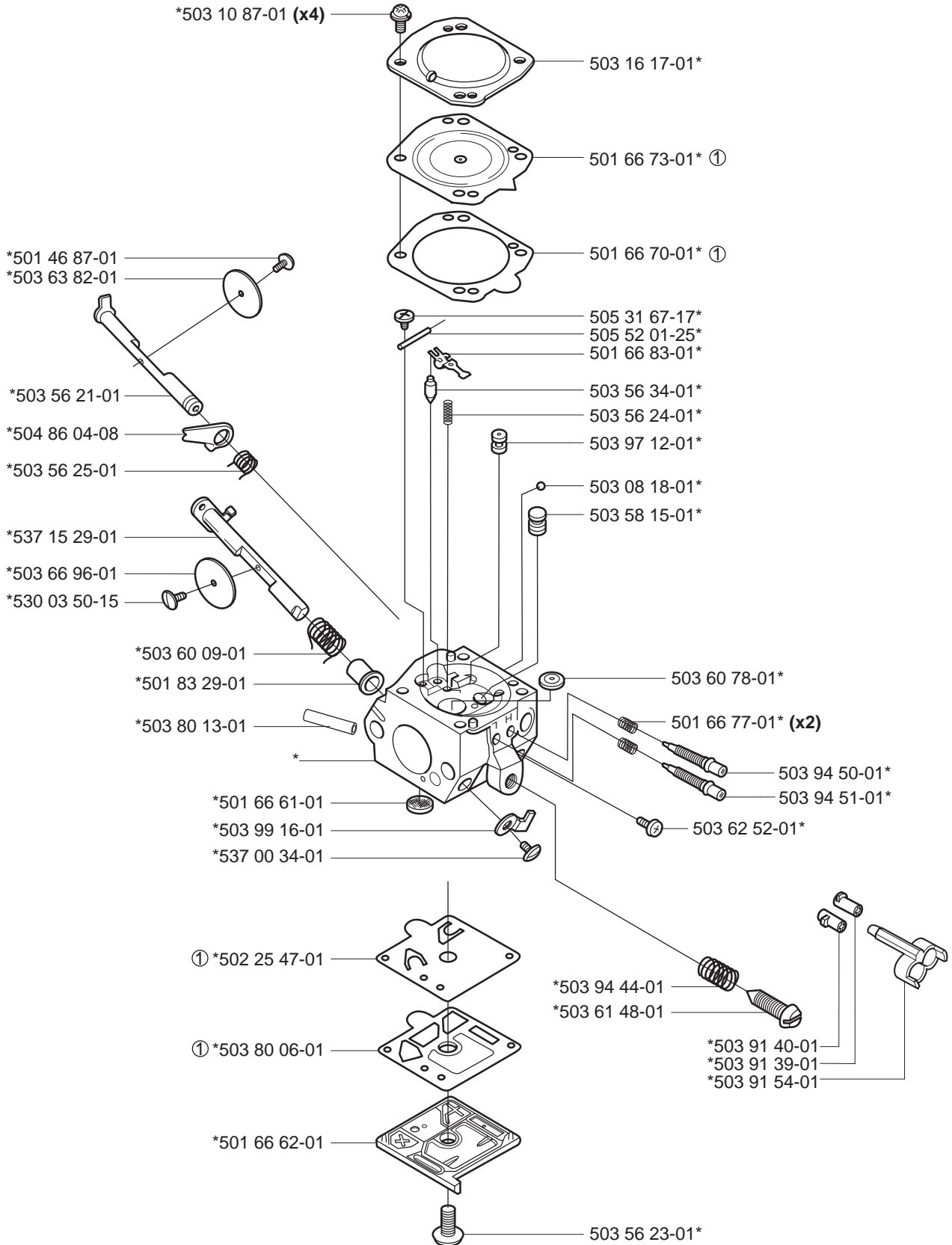
Q

*compl 502 17 35-05



R

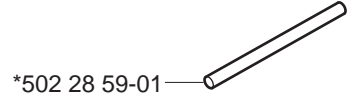
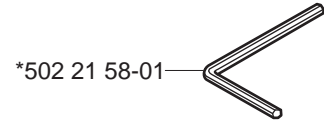
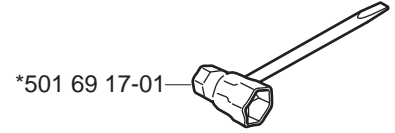
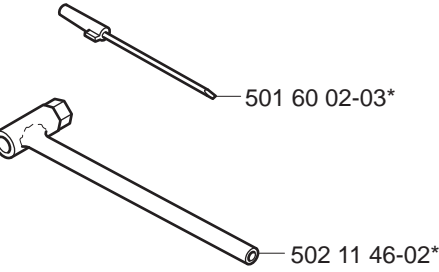
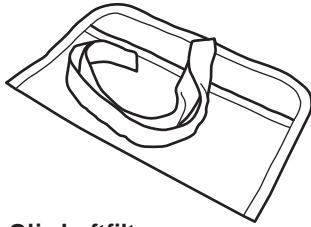
*compl 503 28 18-07 Walbro HDA 187 (EPA)

Walbro HDA-187

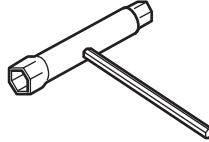
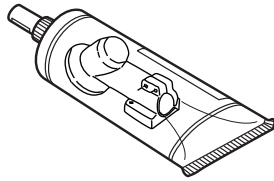
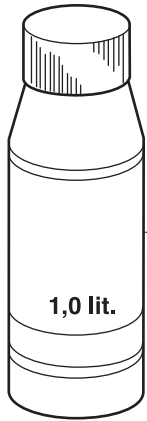
① 531 00 45-21
Set of gaskets
Dichtungssatz
Jeu de joints
Juego de juntas
Packningssats

**S Accessories
Zubehöre
Accessoires
Accessorios
Tillbehör**

*compl 502 27 33-03



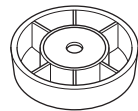
**Olja Luftfilter
Oil Airfilter
Öl Luftfilter
Aceite Filtro Air
Huile Filtra aire**



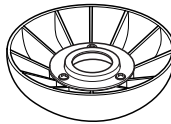
531 00 92-48

503 97 64-01

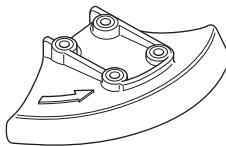
537 30 66-01
Trio Balance



503 90 18-01

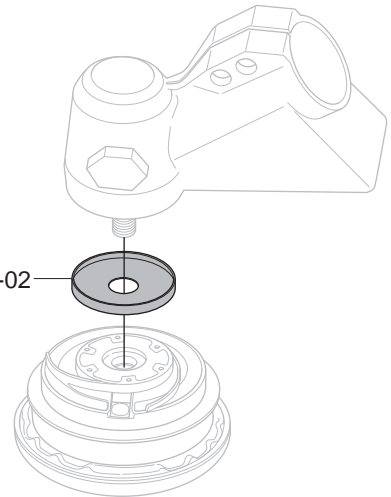


502 15 70-01

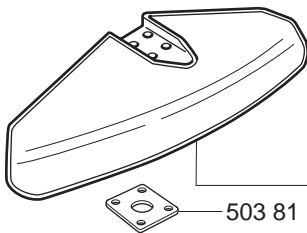


537 21 71-01 (200 mm)
502 03 94-03 (225 mm)

537 29 80-02

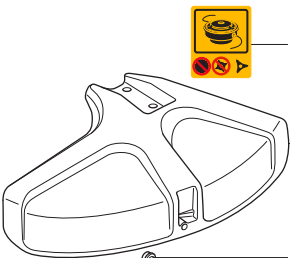
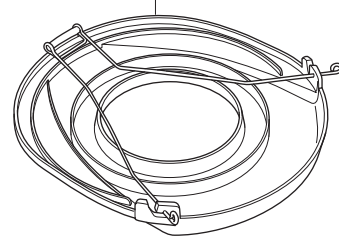


537 31 29-01 (200-275 mm)



503 81 15-01

compl 502 26 34-01



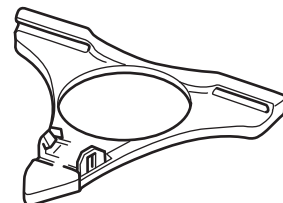
503 74 29-01

503 21 07-16

503 79 88-01

compl 503 91 60-01

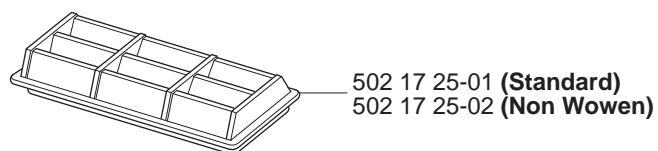
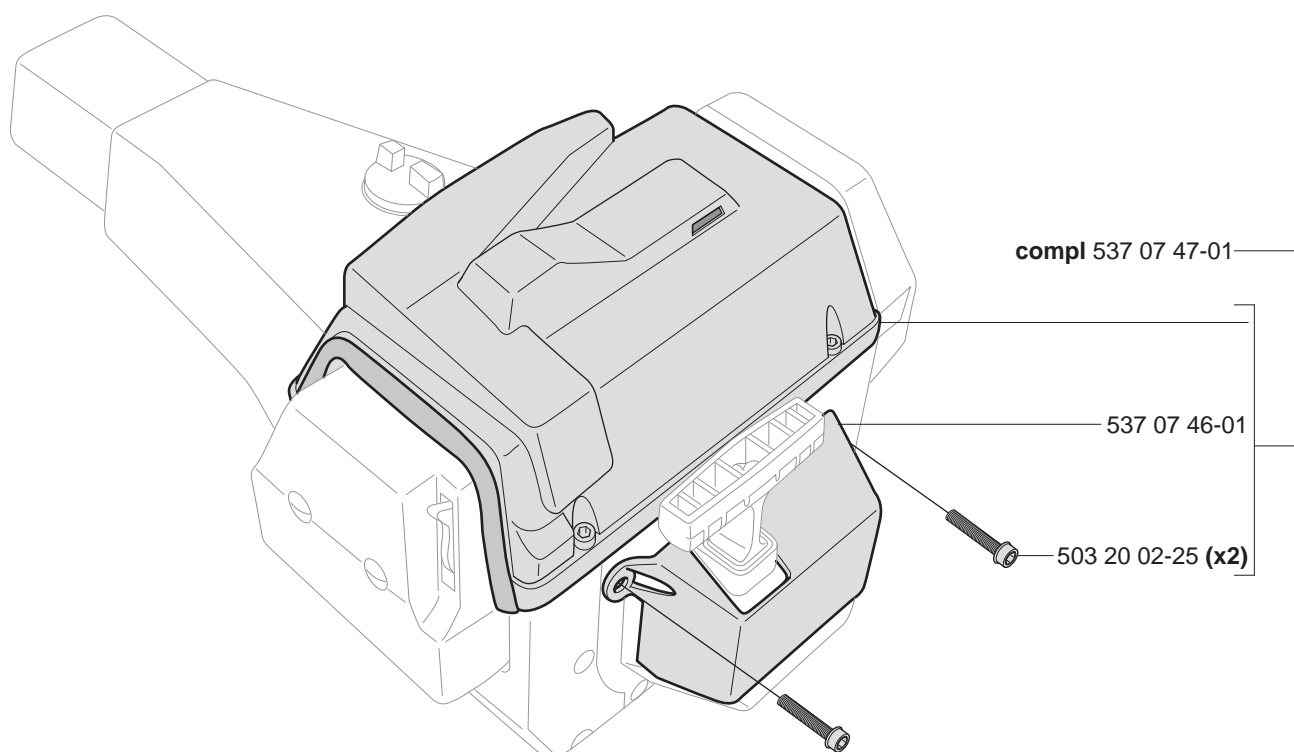
503 81 15-01



502 26 23-01

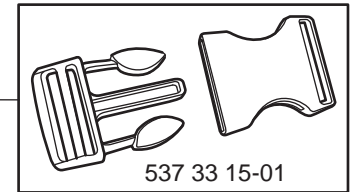
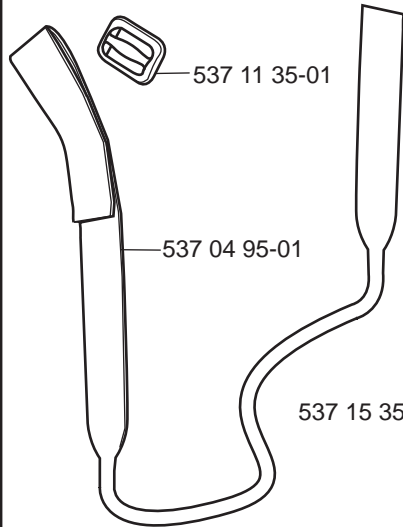
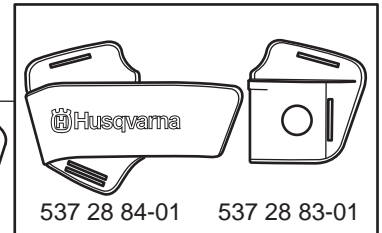
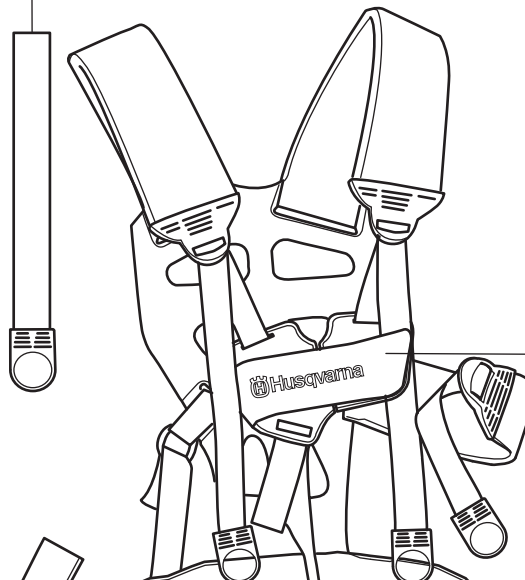
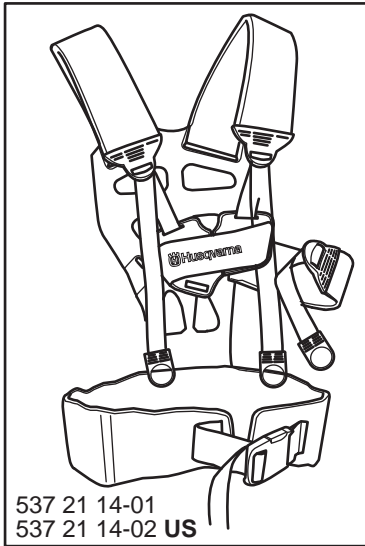
T Delivery as spare part only
Nur als Ersatzteil lieferbar
Livrabile seulement comme pièce de rechange
Solo como repuesto
Levereras endast som reservdel

Vintersats
Winter kit
Wintersatz
Dispositif hivernal
Juego para uso invernal
compl 537 07 47-01



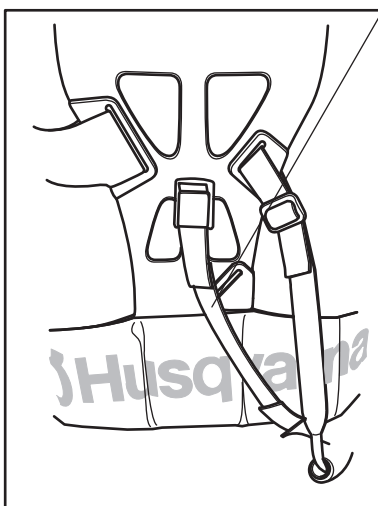
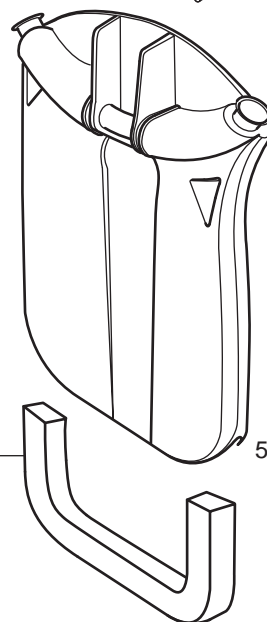
U Trio Balance
 compl 531 00 92-08
 compl 531 00 92-09 US

503 99 61-01 (x3)

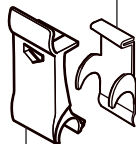


compl 537 17 12-01

501 60 82-01



537 04 94-01



537 04 92-01

537 04 93-01

compl 502 02 28-03



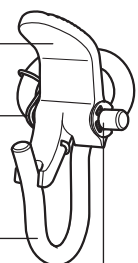
compl 502 02 28-01

502 02 30-02

502 02 38-01

502 02 29-02

735 31 09-20



PART NUMBER	SQUARE NOTE	PART NUMBER	SQUARE NOTE	PART NUMBER	SQUARE NOTE	PART NUMBER	SQUARE NOTE
501 19 22-01	S	502 20 85-06	C	503 21 06-32	F N	537 01 70-01	CDL
501 27 82-01	F	502 20 86-06	C	503 21 07-16	S	537 02 42-03	D
501 45 16-01	NP	502 21 12-01	C	503 21 07-22	CD N	537 02 42-04	C
501 46 57-01	M	502 21 58-01	S	503 21 49-16	E	537 04 02-02	G
501 46 87-01	R	502 22 15-01	E	503 21 49-19	F	537 04 36-01	J
501 48 54-02	M	502 22 16-01	E	503 22 10-12	E	537 04 82-01	H
501 48 92-01	M	502 22 19-01	E	503 22 21-02	HM	537 04 83-01	H
501 53 16-01	M	502 22 32-01	G	503 22 65-04	CD	537 04 92-01	U
501 54 15-02	M	502 22 38-01	D	503 23 00-05	M	537 04 93-01	U
501 60 02-03	S	502 22 46-05	G	503 23 00-11	D	537 04 94-01	U
501 60 82-01	U	502 22 59-01	L	503 23 00-35	K	537 04 95-01	U
501 66 61-01	R	502 22 71-07	L	503 23 51-08	N	537 05 67-01	H
501 66 62-01	R	502 22 73-01	A	503 23 51-11	N	537 06 28-01	H
501 66 70-01	R	502 22 77-02	N	503 26 02-04	Q	537 06 28-02	H
501 66 73-01	R	502 22 89-01	CD	503 28 16-19	L	537 06 31-01	H
501 66 77-01	R	502 22 89-01	Q	503 28 18-07	LR	537 06 71-01	D
501 66 83-01	R	502 22 94-01	Q	503 28 90-10	N	537 06 72-01	D
501 67 67-03	N	502 25 29-01	L	503 28 90-11	N	537 07 09-01	H
501 68 89-01	S	502 25 47-01	R	503 44 32-01	F	537 07 27-01	N
501 69 17-01	S	502 25 90-01	M	503 49 69-01	L	537 07 46-01	T
501 76 83-30	F	502 26 01-01	Q	503 52 97-01	F	537 07 47-01	T
501 83 29-01	R	502 26 05-02	Q	503 54 39-01	K	537 11 35-01	U
501 86 21-02	N	502 26 23-01	S	503 56 21-01	R	537 11 64-01	L
501 86 25-02	L	502 26 31-01	H	503 56 23-01	R	537 13 15-01	K
502 02 28-01	U	502 26 34-01	S	503 56 24-01	R	537 15 00-01	M
502 02 28-03	U	502 26 36-02	L	503 56 25-01	R	537 15 06-01	J
502 02 29-02	U	502 26 89-01	A	503 56 34-01	R	537 15 07-01	J
502 02 30-02	U	502 26 95-01	A	503 57 89-01	F	537 15 29-01	R
502 02 38-01	U	502 26 98-01	Q	503 58 15-01	R	537 15 35-01	U
502 03 10-03	A	502 27 11-02	A	503 60 09-01	R	537 15 51-01	H
502 03 47-01	J	502 27 12-01	A	503 60 78-01	R	537 17 12-01	U
502 03 94-03	S	502 27 20-01	K	503 61 48-01	R	537 17 13-01	H
502 04 15-05	B	502 27 25-01	A	503 62 52-01	R	537 17 21-01	H
502 04 55-01	A	502 27 26-01	A	503 63 82-01	R	537 17 53-01	U
502 05 08-74	P	502 27 28-01	A	503 66 96-01	R	537 17 54-01	U
502 05 24-04	L	502 27 32-02	B	503 71 82-01	C	537 18 38-01	D
502 05 42-01	M	502 27 33-03	S	503 73 45-01	E	537 18 38-02	C
502 06 28-01	D	502 27 34-01	N	503 74 29-01	S	537 21 14-01	U
502 11 46-02	S	502 27 35-01	N	503 79 41-01	C	537 21 14-02	U
502 11 51-04	F	502 27 45-02	L	503 79 88-01	S	537 21 71-01	S
502 11 59-03	A	502 27 63-01	E	503 80 06-01	R	537 28 83-01	U
502 11 79-06	C	502 27 64-01	E	503 80 13-01	R	537 28 84-01	U
502 14 43-05	D	502 27 81-01	F	503 81 15-01	S	537 29 47-03	B N
502 14 44-01	D	502 28 03-01	E	503 82 80-05	F	537 29 47-06	B N
502 14 47-01	D	502 28 04-01	Q	503 90 18-01	S	537 29 80-02	S N
502 14 50-04	D	502 28 06-14	C	503 91 39-01	R	537 30 66-01	S N
502 14 51-02	CD	502 28 08-01	L	503 91 40-01	R	537 31 29-01	S N
502 15 57-02	J	502 28 21-01	E	503 91 54-01	R	537 33 15-01	U
502 15 58-01	J	502 28 33-03	D	503 91 60-01	S	537 34 22-01	F N
502 15 70-01	S	502 28 34-02	D	503 94 44-01	R	537 35 33-11	G N
502 17 16-02	L	502 28 35-02	D	503 94 50-01	R	537 35 33-12	G N
502 17 17-01	L	502 28 36-03	D	503 94 51-01	R	537 35 66-01	K N
502 17 19-03	L	502 28 44-01	D	503 97 12-01	R	537 35 66-02	K N
502 17 20-04	K	502 28 59-01	S	503 97 64-01	S	720 12 12-20	D
502 17 21-01	K	502 28 62-01	A	503 99 16-01	R	720 13 07-10	Q
502 17 22-09	K	502 28 63-01	A	503 99 61-01	U	724 12 87-59	J
502 17 25-01	T	503 08 18-01	R	504 12 31-02	L	725 23 82-85	E N
502 17 25-02	T	503 10 87-01	R	504 86 04-08	R	725 52 89-55	Q
502 17 28-02	K	503 16 17-01	R	505 27 75-16	M	725 53 32-55	N
502 17 33-02	Q	503 20 02-16	AFJK	505 30 51-25	K	725 53 33-55	H
502 17 35-05	Q	503 20 02-20	H	505 31 67-17	R	725 53 35-55	Q N
502 17 46-01	L	503 20 02-25	ET N	505 52 01-25	R	725 53 43-55	Q N
502 17 50-05	D	503 20 02-30	A N	530 03 50-15	R	729 52 52-75	DK
502 19 71-01	E	503 20 02-35	CDE N	531 00 45-21	R	735 11 46-50	Q
502 19 92-01	C	503 20 03-16	AL	531 00 92-08	U	735 11 64-50	HM
502 19 94-01	C	503 20 07-10	K	531 00 92-09	U	735 31 09-20	U
502 20 38-01	E	503 20 20-06	H	531 00 92-48	S	735 31 17-00	A
502 20 67-07	C	503 20 25-20	M	537 00 34-01	R	735 31 33-10	H
502 20 67-10	D	503 20 28-22	G	537 01 40-03	B	737 44 10-00	N
502 20 68-02	F	503 20 29-85	J	537 01 40-04	B	738 21 01-00	A

N = New part, Neues teil,
Nouvelle piece, Nueva pieza
Ny detalj

PART NUMBER	SQUARE NOTE	PART NUMBER	SQUARE NOTE	PART NUMBER	SQUARE NOTE	PART NUMBER	SQUARE NOTE
738 21 02-10	A						
738 22 02-19	AH						
738 22 02-25	P						
740 42 22-00	Q						
740 44 08-00	A						
740 51 13-01	A						

N = New part, Neues teil,
Nouvelle piece, Nueva pieza
Ny detalj